

CANDY

ENGLISH	INSTALLATION AND USER'S MANUAL
---------	--------------------------------

INSTALLATION AND USER'S MANUAL

CONTENT

INTRODUCTION	2
SAFETY PRECAUTION	2
SPECIFICATION	4
INSTALLATION	5- 6
DESCRIPTION OF COMPONENTS	7
OPERATION	7
MAINTENANCE	8
TROUBLESHOOTING	9
CONFORMITY WITH DIRECTIVES	9
ENVIRONMENTAL PROTECTION	10

INTRODUCTION

Thank you for choosing this cooker hood.

This instruction manual is designed to provide you with all required instructions related to the installation, use and maintenance of the appliance. In order to operate the unit correctly and safely, please read this instruction manual carefully before installation and usage.

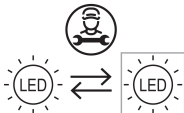
The cooker hood uses high quality materials, and is made with a streamlined design. Equipped with large power electric motor and centrifugal fan, it also provides strong suction power, low noise operation, non-stick grease filter and easy assembly installation.

SAFETY PRECAUTION

- ❑ Never let the children operate the machine.
- ❑ The cooker hood is for home use only, not suitable for barbecue, roast shop and other commercial purpose.
- ❑ The cooker hood and its filter should be clean regularly in order to keep in good working condition.
- ❑ Clean the cooker hood according to the instruction manual and keep the unit from danger of burning.
- ❑ Forbid the direct baking from the gas cooker.
- ❑ Please keep the kitchen room a good convection.
- ❑ Before connecting this appliance check that the power supply cord is not damaged. A damage supply cord must be replaced by qualified service personnel only.
- ❑ There shall be adequate ventilation of the room when the range hood is used at the same time as appliances burning gas or other fuels;
- ❑ The air must not be discharged into a flue that is used for exhausting fumes from appliances burning gas or other fuels;
- ❑ Regulations concerning the discharge of air have to be fulfilled.
- ❑ This appliance is not intended for use by persons (including children) with reduced physical, sensory or mental capabilities, or lack of experience and knowledge, unless they have been given supervision or instruction concerning use of the appliance by a person liable for their safety.
- ❑ Children should be supervised to ensure that they do not play with the appliance.
- ❑ Do not flame under the range hood.
- ❑ The range hood is not intended to be installed over a hob having more than four hob elements

Electrical Shock Hazard

- ❑ Only plug this unit into a properly earthed outlet. If in doubt seek advice from a suitably qualified engineer.
- ❑ Failure to follow these instructions can result in death, fire, or electrical shock.



The lamp used in this product is not suitable for use in the lighting of a room. The purpose of this lamp is to provide illumination for using the product.

Electrical Installation

All installation must be carried out by a competent person or qualified electrician. Before connecting the mains supply ensure that the mains voltage corresponds to the voltage on the rating plate.

Direct Connection

The appliance must be connected directly to the mains using an omnipolar circuit breaker with a minimum opening of 3mm between the contacts.

The installer must ensure that the correct electrical connection has been made and that it complies with the wiring diagram.

The cable must not be bent or compressed.


Regularly check the power plug and power cord for damage. If the supply cord is damaged, it must be replaced by a special cord or assembly available from the manufacturer or its service agent.

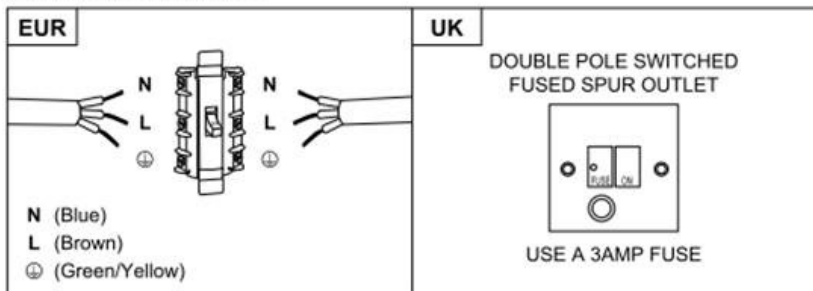
WARNING: This is a Class I appliance and MUST be earthed

This appliance is supplied with a 3 core mains cable coloured as follows:

Brown = L or Live

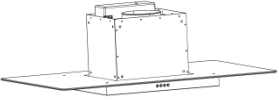
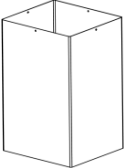
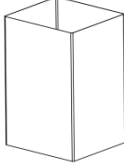
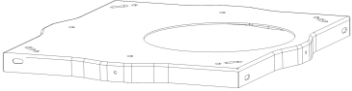
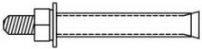



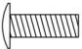


Blue = N or Neutral

Green and Yellow = E or Earth 

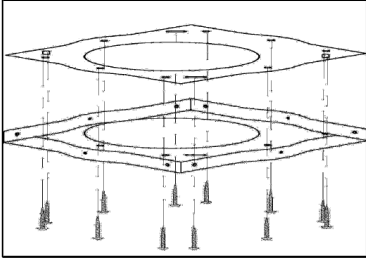


The fuse must be rated at 3 Amps.

Standard Installation Accessories List

Spec.	Illustration Picture	Qty
Casing		1
Upper Chimney 600mm		1
Lower Chimney 600mm		1
Hanging Board		1
Screws M6×60		8
φ8 Rawl Plugs φ8×φ6 white color		11
Screws ST6.0×40		11
φ7.2 Screws ST4.0×8		4
Screws M5x12		40
Washers		16
Nuts		16

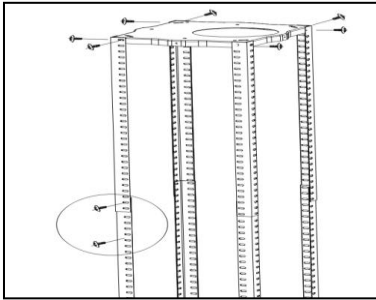
CEILING MOUNTING INSTALLATION



1) Position the hanging plate on the ceiling and then mark the position of the screw holes.

The hanging plate should be securely fixed to the ceiling,

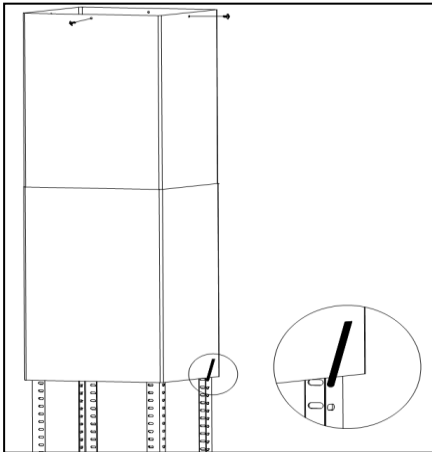
- 11 x ST6 (40 mm) screws for wooden ceiling
- 8 x expansion bolts for cement ceiling



2) Fix the angle bars to the hanging plate, using the 8 x M5 screws.

3) Extend the angle bars to the required height and then fix them in position using the 16 x M5 screws and nuts with metal washers.

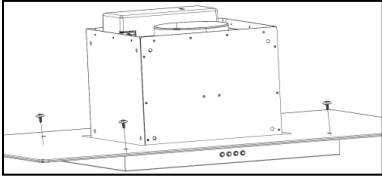
- **IMPORTANT:** The angle bars must have an overlap of AT LEAST 100 mm.



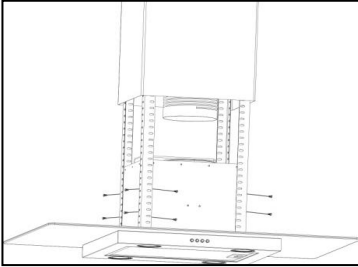
4) If your cooker hood is going to be used in extraction mode, then you should connect the ducting hose to the ceiling adaptor at this point.

Fix the upper chimney section to the hanging plate, using the 4 x self-tapping screws.

Slide the lower chimney section onto the angle bars and raise it until it sits just below the upper chimney section.



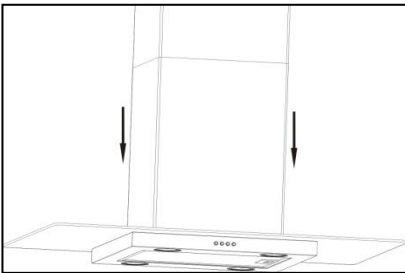
5) If the glass canopy has not been pre-assembled by the factory, then it should be fixed to the top of the main body of the cooker hood at this stage.



6) Lift the main body of the cooker hood onto the angle bar and then fix it into position using the 16 x M5 screws.

- **IMPORTANT:** This stage of the installation process **MUST** be completed by two people.

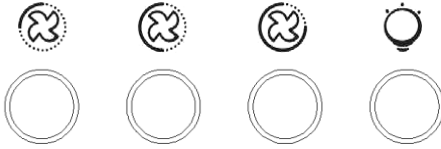
- **IMPORTANT:** The 16 x M5 screws **MUST** be securely tightened.



7) If you are going to be using the hood in extraction mode, you should fix the ducting hose to the spigot.

- The electrical connection must correspond to the electrical requirement noted on the rating plate, which is placed inside the cooker hood. The appliance should now be connected to the electrical supply.
- Check that the appliance is operating correctly by selecting each speed and switching the light bulbs on and off.
- Remove the hanging hook and then slide the lower chimney section downwards, until it rests against the main body of the cooker hood.
- Use a stainless steel cleaner and polish on the stainless steel sections of the appliance.
- If you are using the appliance in recirculation mode, then you should now fit the carbon filter.

DESCRIPTION OF COMPONENTS



OPERATION

Button 1

The button is with indicate backlit, when you press the button,the backlit will be turned on and the fan will be turned on at low speed. when press again, it will turn off the fan.

It's used for Ventilation on the kitchen. It is suitable for simmering and cooking which do not make much steam.

Button 2

The button is with indicate backlit, when you press the button,the backlit will be turned on and the fan will be turned on at Medium Speed. when press again, it will turn off the fan.

Airflow speed is ideally for ventilation in standard cooking operation.

Button 3

The button is with indicate backlit, when you press the button,the backlit will be turned on and the fan will be turned on at High Speed. when press again,. it will turn off the fan.

When high density of smoke or steam produced, press high-speed button for highest effective ventilation.

NOTE: If Low / Medium / High speed buttons are press at the same time, the unit will only operate at the highest speed.

Light button

MAINTENANCE

Before cleaning switch the unit off and pull out the plug.

I. Regular Cleaning

Use a soft cloth moistened with hand-warm mildly soapy water or household cleaning detergent. Never use metal pads, chemical, abrasive material or stiff brush to clean the unit.

II. Monthly Cleaning for Grease Filter

ESSENTIAL: Clean the filter every month can prevent any risk of fire.

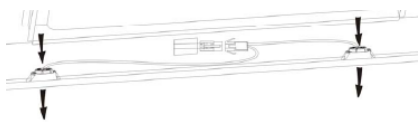
The filter collects grease, smoke and dust..... so the filter is directly affecting the efficiency of the cooker hood. If not cleaned, the grease residue (potential flammable) will saturate on the filter. Clean it with household cleaning detergent.

III. Annual Cleaning for Activated Carbon Filter

Apply SOLELY to unit that installed as a recirculation unit (not vented to the outside). This filter traps odors and must be replaced at least once a year depending on how frequent the cooker hood used.

IV. Changing a light bulb

Remove the screws on the glass, take off the hood glass. Find the bulb that requires replacement, you will find it located in the light fixture which is inside the exposed section of the canopy.



Disconnect the light wiring point and remove the bulb holders and wiring from the hood. Important: It's not possible to replace the bulbs individually, it will be necessary to obtain the bulbs, bulb holders and wiring as a complete part. (LED light: MAX 1.5W)

Fit the replacement bulbs, bulb holders and wiring in the same manners as the originals. Then reconnect the light wiring point.

Refit the hood glass and fasten the glass screws. Make sure the screws are fully tightened.

TROUBLESHOOTING

Fault	Cause	Solution
Light on, but fan does not work	The fan blade is jammed.	Switch off the unit and repair by qualified service personnel only.
	The motor is damaged.	
Both light and fan do not work	Halogen light bulb burn.	Replace the bulb with correct rating.
	Power cord looses.	Plug in to the power supply again.
Serious Vibration of the unit	The fan blade is damaged.	Switch of the unit and repair by qualified service personnel only.
	The fan motor is not fixed tightly.	Switch off the unit and repair by qualified service personnel only.
	The unit is not hung properly on the bracket.	Take down the unit and check whether the bracket is in proper location.
Suction performance not good	Too long distance between the unit and the cooking plane	Readjust the distance to 65-75cm

CUSTOMER ASSISTANCE SERVICE

If you cannot identify the cause of the operating anomaly, switch off the appliance and contact the Assistance Service.

PRODUCT SERIAL NUMBER. Where can I find it?

It is important you to inform the Assistance Service of your product code and its serial number (a 16 character code which begins with the number 3); this can be found on the guarantee certificate or on the data plate located on the appliance.

It will help to avoid wasted journeys to technicians, thereby (and most significantly) saving the corresponding callout charges.

ENVIRONMENTAL PROTECTION

This appliance is labelled in accordance with European Directive 2012/19/EU on Waste Electrical and Electronic Equipment Regulations 2013 regarding electric and electronic appliances (WEEE). The WEEE contain both polluting substances (that can have a negative effect on the environment) and base elements (that can be reused).



It is important that the WEEE undergo specific treatments to correctly remove and dispose of the pollutants and recover all the materials. Individuals can play an important role in ensuring that the WEEE do not become an environmental problem; it is essential to follow a few basic rules:

- the WEEE should not be treated as domestic waste
- the WEEE should be taken to dedicated collection areas managed by the town council or a registered company.

In many countries, domestic collections may be available for large WEEEs. When you buy a new appliance, the old one can be returned to the vendor who must accept it free of charge as a one-off, as long as the appliance is of an equivalent type and has the same functions as the purchased appliance.