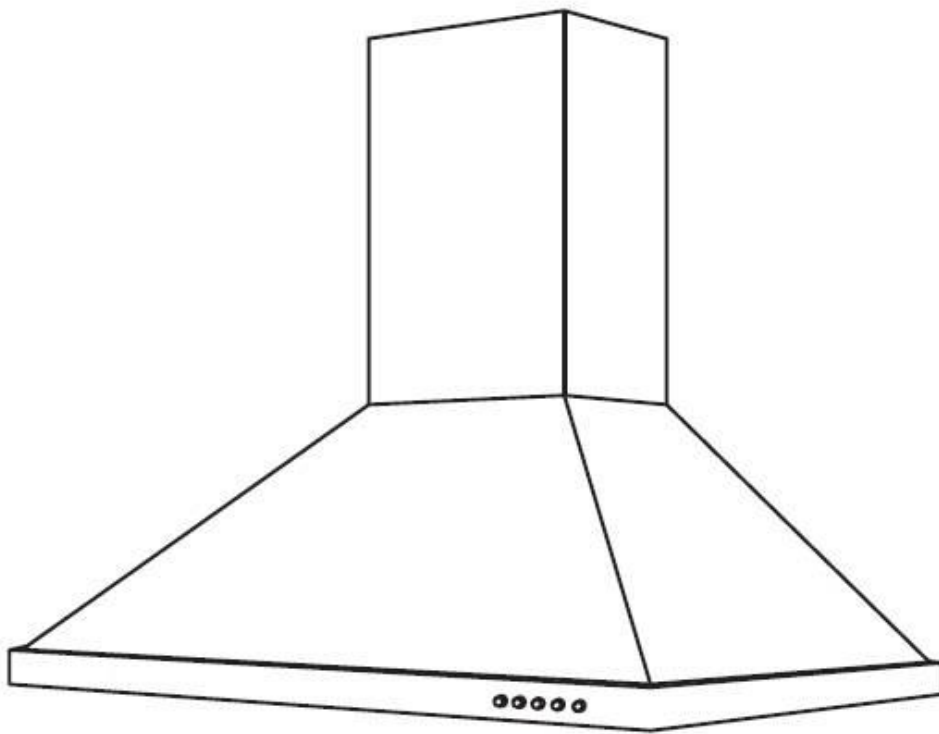


HCE160N/1,HCE160X/1

Cooker Hood

Instruction Manual

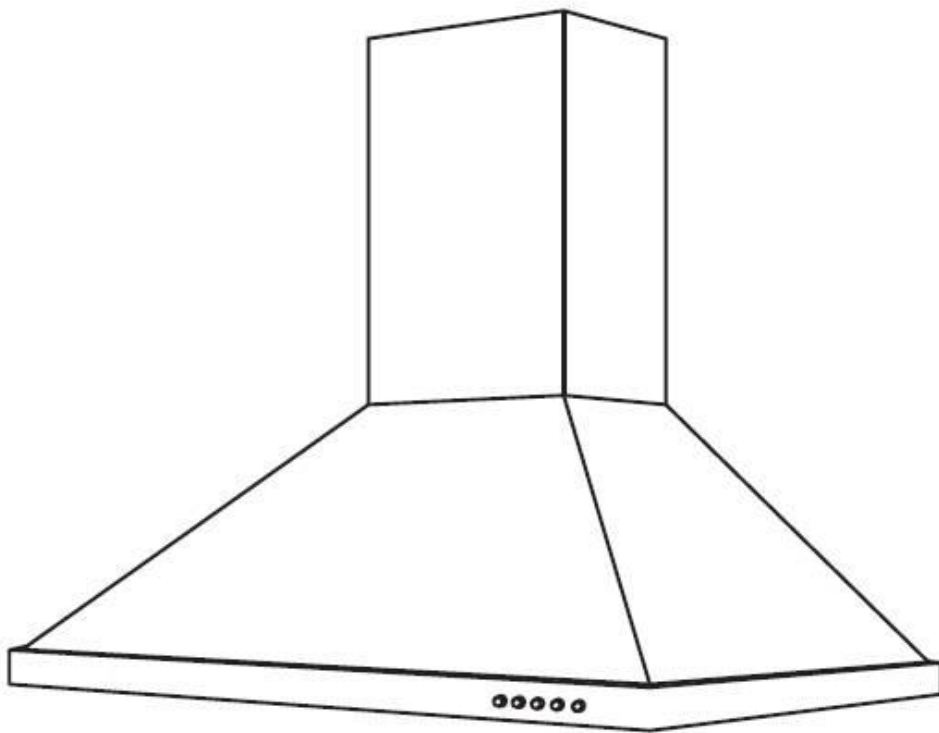


ENGLISH(EN)-----page 001

PORTUGUESE (PT)-----page 012

Cooker Hood

Instruction Manual



Content

1.....	Safety instructions
2.....	Installation
3.....	Start using your cooker hood
4.....	Troubleshooting
5.....	Maintenance and cleaning
6.....	Environment protection

SAFETY INSTRUCTIONS

This manual explains the proper installation and use of your cooker hood, please read it carefully before using even if you are familiar with the product. The manual should be kept in a safe place for future reference.

Never to do:

- Do not try to use the cooker hood without the grease filters or if the filters are excessively greasy!
- Do not install above a cooker with a high level grill.
- Do not leave frying pans unattended during use because overheated fats or oils might catch fire.
- Never leave naked flames under the cooker hood.



- If the cooker hood is damaged, do not attempt to use.
- Do not flambé under the cooker hood.
- CAUTION: Accessible parts may become hot when used with cooking appliances.
- The minimum distance between the supporting surface for the cooking vessels on the hob and the lowest part of the cooker hood. (When the cooker hood is located above a gas appliance, this distance shall be at least 65 cm)
- The air must not be discharged into a flue that is used for exhausting fumes from appliances burning gas or other fuels. Range hoods and other cooking fume extractors may adversely affect the safe operation of appliances burning gas or other fuels (including those in other rooms) due to back flow of combustion gases. These gases can potentially result in carbon

monoxide poisoning. After installation of a range hood or other cooking fume extractor, the operation of open flued gas appliances should be tested by a competent person to ensure that back flow of combustion gases does not occur.



Always to do:

- Important! Always switch off the electricity supply at the mains during installation and maintenance such as light bulb replacement.
- The cooker hood must be installed in accordance with the installation instructions and all measurements followed.
- All installation work must be carried out by a competent person or qualified electrician.
- Please dispose of the packing material carefully. Children are vulnerable to it.
- Pay attention to the sharp edges inside the cooker hood especially during installation and cleaning.
- Make sure the ducting has no bends sharper than 90 degrees as this will reduce the efficiency of the cooker hood.
- Warning: Failure to install the screws or fixing device in accordance with these instructions may result in electrical hazards

- **Warning:** Before obtaining access to terminals, all supply circuits must be disconnected.

Always to do:

- Always put lids on pots and pans when cooking on a gas cooker.
- When in extraction mode, air in the room is being removed by the cooker hood. Please make sure that proper ventilation measures are being observed. The cooker hood removes odours from room but not steam.
- Cooker hood is for domestic use only.



- If the supply cord is damaged, it must be replaced by the manufacturer, its service agent or similarly qualified persons in order to avoid a hazard.
- This appliance can be used by children aged from 8 years and above and persons with reduced physical, sensory or mental capabilities or lack of experience and knowledge if they have been given supervision or instruction concerning use of the appliance in a safe way and understand the hazards involved. Children shall not play with the appliance. Cleaning and user maintenance shall not be made by children without supervision.



- **Warning:** Before obtaining access to terminals, all supply circuits must be disconnected.

Always to do:

- **Caution:** The appliance and its accessible parts can become hot during operation. Be careful to avoid touching the heating elements. Children younger than 8 years old should stay away unless they are under permanent supervision.
- There shall be adequate ventilation of the room when the cooker hood is used at the same time as appliances burning gas or other fuels.
- There is a fire risk if cleaning is not carried out in accordance with the instructions
- Regulations concerning the discharge of air have to be fulfilled.
- Clean your appliance periodically by following the method given in the chapter MAINTENANCE.
- For safety reason, please use only the same size of fixing or mounting screw which are recommended in this instruction manual.
- Regarding the details about the method and frequency of cleaning, please refer to maintenance and cleaning section in the instruction manual.
- Cleaning and user maintenance shall not be made by children without supervision.
- When the cooker hood and appliances supplied with energy other than electricity are simultaneously in operation, the negative pressure in the room must not exceed 4 Pa (4 x 10⁻⁵ bar).
- **WARNING:** Danger of fire: do not store items on the cooking surfaces.
- A steam cleaner is not to be used.
- **NEVER** try to extinguish a fire with water, but switch off the appliance and then cover flame e.g. with a lid or a fire blanket.

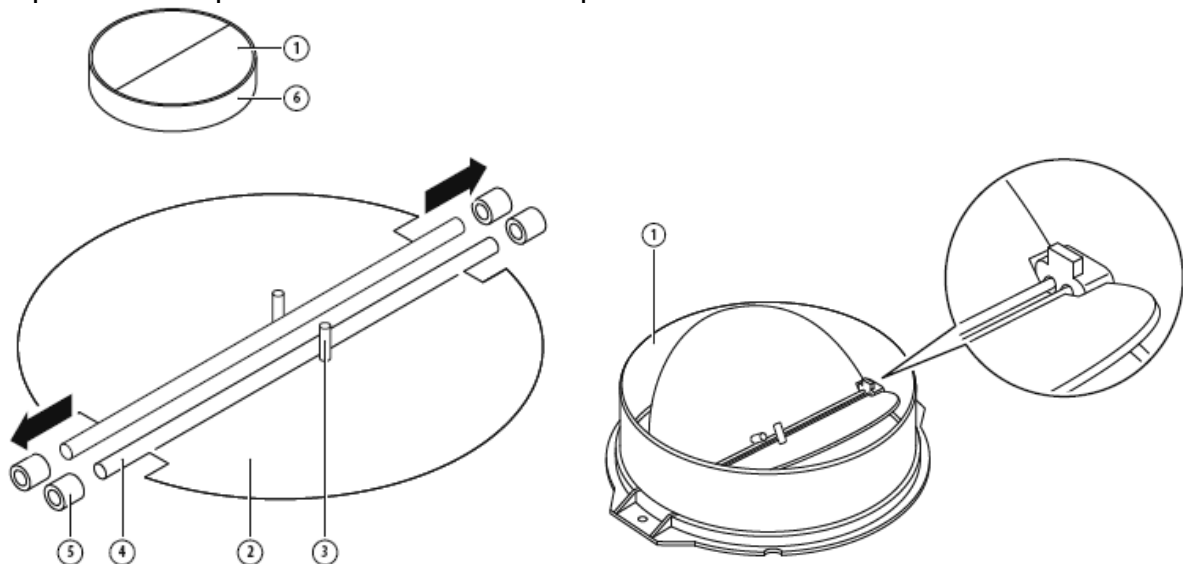
INSTALLATION (VENT OUTSIDE)

MOUNTING OF THE V-FLAP

If the cooker hood does not have an assembled V-flap 1, you should mount the half-parts to its body. The images only show an example of how to mount the V-flap, because the outlet may vary according to different models and configurations.

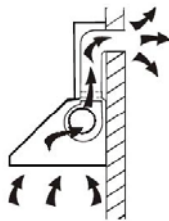
To mount the V-flap 1 you should:

- Mount two half-parts 2 into the body 6
- the pin 3 should be top oriented;
- the axis 4 should be inserted into the holes 5 on the body;
- repeat all the operations for the 2nd half-part



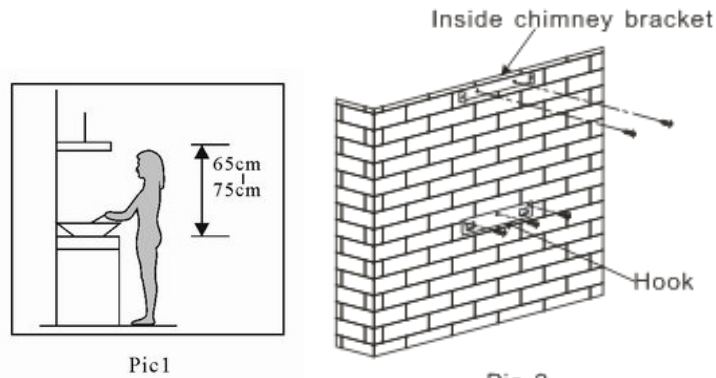
INSTALLATION

If you have an outlet to the outside, your cooker hood can be connected as below picture by means of an extraction duct (enamel, aluminum, flexible pipe or non-flammable material with an interior diameter of 150mm)



1. Before installation, turn the unit off .

2. The cooker hood should be placed at a distance of 65~75cm above the cooking surface for best effect.

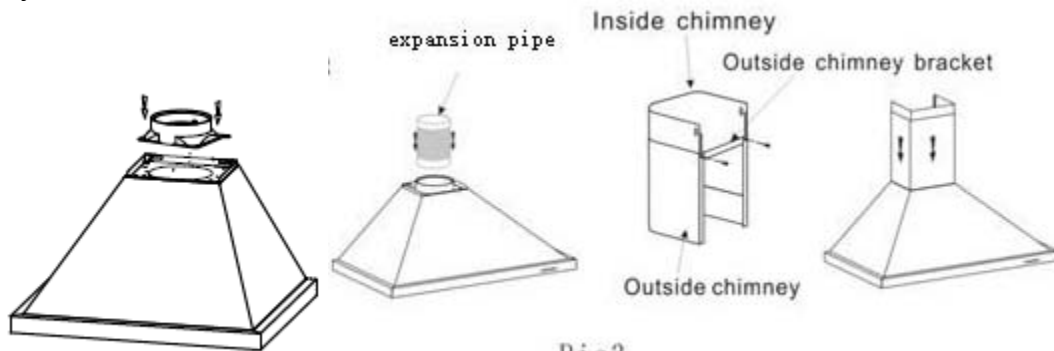


Pic1

Pic 2

3. Install the hook on a suitable place once the installation height is fixed, and keep it in line. The fixed position of the inside chimney bracket is the place of chimney. See pic 2.

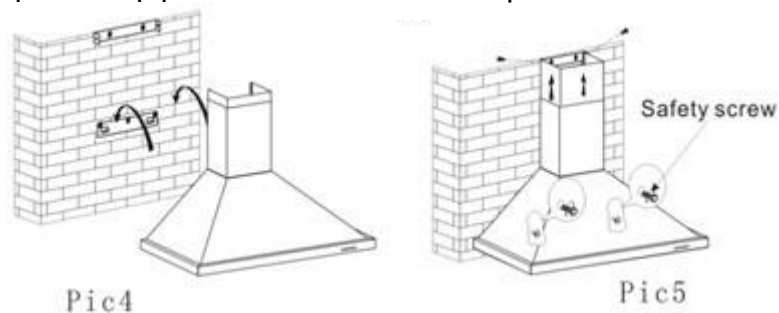
4. Install the outlet on the cooker hood with 4pcs screws. Fix the outside chimney bracket on the outside chimney, and be sure that the inside chimney can be adjusted the height in it freely as well as fixing the expansion pipe. Afterwards, fix the outlet with screws and put the expansion pipe with the cable tie on the outlet. Then install the chimneys on the cooker hood. See Pic 3.



Pic3

5. Put the cooker hood on the hook. See Pic 4.

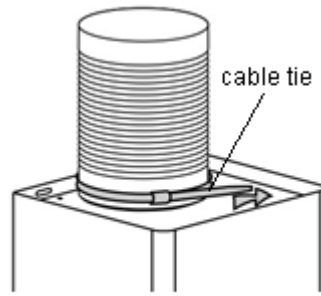
6. Adjust the height of the inside chimney to the position of the inside chimney bracket and fix on it by screw, after adjusting the position, fix the body with safety screw. See Pic 5. Note: the expansion pipe is not included in the product.



Pic4

Pic5

Note: The two safety vents are positioned on the back housing, with diameter of 6mm. Lay the expansion pipe to the wall outlet. Fix the expansion pipe with a cable tie.



Electrical Installation

All installation must be carried out by a competent person or qualified electrician. Before connecting the mains supply ensure that the mains voltage corresponds to the voltage on the rating plate.

Direct Connection

The appliance must be connected directly to the mains using an omnipolar circuit breaker with a minimum opening of 3mm between the contacts.

The installer must ensure that the correct electrical connection has been made and that it complies with the wiring diagram.

The cable must not be bent or compressed.

Regularly check the power plug and power cord for damage. If the supply cord is damaged, it must be replaced by a special cord or assembly available from the manufacturer or its service agent.

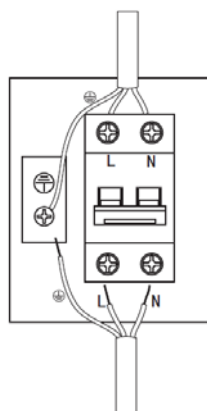
WARNING: This is a Class I appliance and **MUST** be earthed

This appliance is supplied with a 3 core mains cable coloured as follows:

Brown = L or Live

Blue = N or Neutral

Green and Yellow = E or Earth 

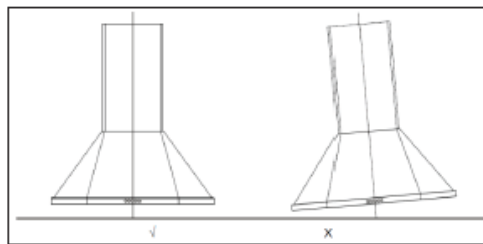



HINTS FOR EXHAUST DUCT INSTALLATION

The following rules must be strictly followed to obtain optimal air extraction:

- Keep expansion pipe short and straight.
- Do not reduce the size or restrict expansion pipe.
- When using expansion pipe always install the pipe pulled taut to minimize pressure loss.

- Failure to observe these basic instructions will reduce the performance and increase noise levels of the cooker hood.
- Any installation work must be carried out by a qualified electrician or competent person.
- Do not connect the ducting system of the hood to any existing ventilation system which is being used for any other appliance, such as warmer tube, gas tube, hot wind tube.
- The angle of the bend of the expansion pipe should not be less than 120°; you must direct the pipe horizontally, or, alternatively, the pipe should go up from the initial point and should be led to an outer wall.
- After the installation, make sure that the cooker hood is level to avoid grease collection at one end.
- Ensure the expansion pipe selected for installation complies with relevant standards and is fire retardant.



<p>WARNING:</p> 	<ul style="list-style-type: none"> ➤ For safety reason, please use only the same size of fixing or mounting screw which are recommended in this instruction manual. ➤ Failure to install the screws or fixing device in accordance with these instructions may result in electrical hazards.
--	--

Start Using Your Cooker Hood

Push button

- 1) Push the stop button, and the motor will stop.
- 2) Push the low button, and the motor will run at low speed.
- 3) Push the middle button, and the motor will run at mid speed.
- 4) Push the high button, and the motor will run at high speed.
- 5) Push the light button and the two lights will illuminate. Push it again and the light will turn off.



TROUBLESHOOTING

Fault	Possible Cause	Solution
Light on, but motor does not work	Fan switch turned off	Select a fan switch position.
	Fan switch failed	Contact service center.
	Motor failed	Contact service center.
Light does not work, motor does not work	House fuses blown	Reset/Replace fuses.
	Power cord loose or disconnected	Refit cord to power outlet. Switch power outlet on.
Oil leakage	One way valve and the outlet are not tightly sealed	Take down the one way valve and seal with sealant.
	Leakage from the connection of chimney and cover	Take chimney down and seal.
Lights not working	Broken/Faulty globes	Replace globes as per this instruction.
Insufficient suction	The distance between the cooker hood and the gas top is too far	Refit the cooker hood to the correct distance.
The Cooker hood inclines	The fixing screw not tight enough	Tighten the hanging screw and make it horizontal.

NOTE:



Any electrical repairs to this appliance must conform to your local, state and federal laws. Please contact the service centre if in any doubt before undertaking any of the above. Always disconnect the unit from the power source when opening the unit.

MAINTENANCE AND CLEANING

Caution:

- Before maintenance or cleaning is carried out, the cooker hood should be disconnected from the main power supply. Ensure that the cooker hood is switched off at the wall socket.
- External surfaces are susceptible to scratches and abrasions, so please follow the cleaning instructions to ensure the best possible result is achieved without damage.

GENERAL

Cleaning and maintenance should be carried out with the appliance cold especially when cleaning. Avoid leaving alkaline or acid substances (lemon juice, vinegar etc.) on the surfaces.

STAINLESS STEEL

The stainless steel must be cleaned regularly (e.g. weekly) to ensure a long life expectancy. Dry with a clean soft cloth. A specialized stainless steel cleaning fluid may be used.

NOTE:

Ensure that wiping is done along with the grain of the stainless steel to prevent any unsightly crisscross scratching patterns from appearing.

CONTROL PANEL SURFACE

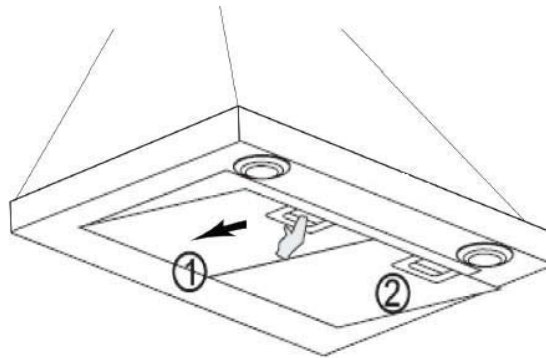
The inlay control panel can be cleaned using warm soapy water. Ensure the cloth is clean and well wrung before cleaning. Use a dry soft cloth to remove any excess moisture left after cleaning.

Important

Using neutral detergents and avoid using harsh cleaning chemicals, strong household detergents or products containing abrasives, as this will affect the appearance of the appliance and potentially remove any printing of artwork on the control panel and will void manufacturer's warranty.

GREASE MESH FILTERS

The mesh filters can be cleaned by hand. Soak them for about 3 minutes in water with a mild detergent and then brush it gently with a soft brush. Do not apply too much pressure so as to avoid any damage to it. (Leave to dry naturally out of direct sunlight) Filters should be washed separately to crockery and kitchen utensils. It is advisable not to use rinse aid.



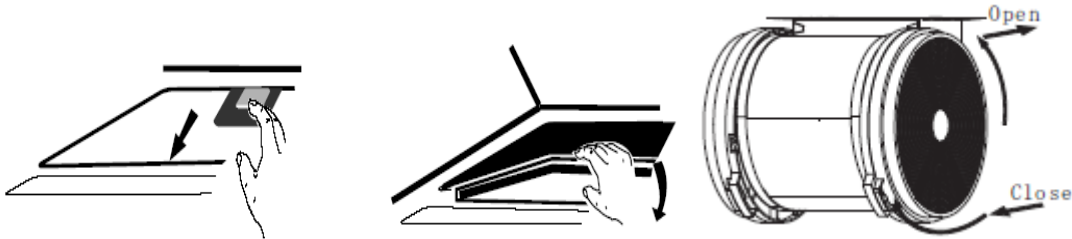
INSTALLING GREASE MESH FILTERS

- To install filters for the following four steps:
 - Angle the filter into slots at the back of the hood.
 - Push the button on handle of the filter.
 - Release the handle once the filter fits into a resting position.
 - Repeat to install all filters

CARBON FILTER-not supplied

Activated carbon filter can be used to trap odors. Normally the activated carbon filter should be changed at three or six months according to your cooking habit. The installation procedure of activated carbon filter is as below.


1. Before installing or replacing the carbon filters, disconnect the mains power to the unit.
2. Press the filter lock and remove the mesh filter.
3. Turn the carbon filter on both sides of the motor anti-clockwise. Replace the carbon filters with the new carbon filters.
4. Place the mesh filter.
5. Connect the power supply to the wall socket.



NOTE:

- Make sure the filter is securely locked. Otherwise, it would loosen and cause danger.
- When activated carbon filter attached, the suction power will be lowered.

BULB REPLACEMENT

<p>Important :</p> 	<ul style="list-style-type: none"> ✧ The bulb must be replaced by the manufacturer, its service agent or similarly qualified persons. ✧ Always switch off the electricity supply before carrying out any operations on the appliance. When handling bulb, make sure it is completely cool down before any direct contact to hands. ✧ When handling globes hold with a cloth or gloves to ensure perspiration does not come in contact with the globe as this can reduce the life of the globe.
--	---

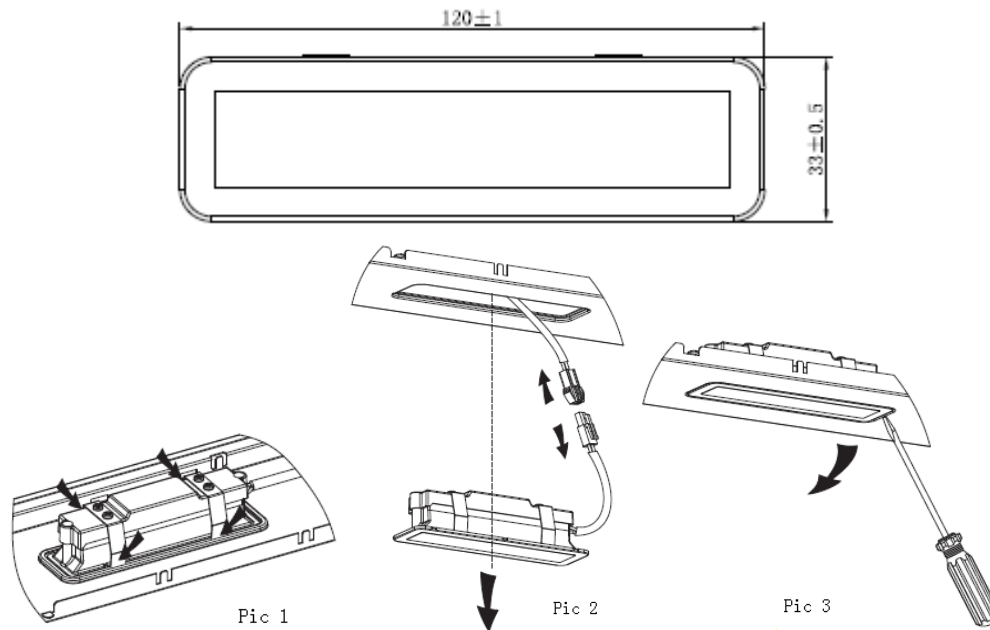
Note:

- Before replacing light that the cooker hood can be isolated from the supply mains by means of a plug or an all-pole switch.
- Protect against danger when changing lights, such as wearing gloves.

Changing the lights:

- Remove the grease filter.
- Way 1. Use a tool or the hand to press the spring splinter of both sides of LED light to the inside, until the light is pressed out, see pic 1. Then slightly pull the light connecting wire out, and dismantle the terminal of the light connecting wire. See pic 2.
Way 2. Use straight screwdriver to prize up the LED light bottom edge, see pic 3, then slightly pull out the LED light and light connecting wire. See pic 2.
- Apply the reverse procedure to install the light back.
- ILCOS D code for this lamp is: DBS-2/65-H-120/33
LED modules –rectangle lamp

- Max wattage: 1×2 W
- Voltage range: AC110-240V
- Dimensions:



ENVIRONMENTAL PROTECTION:



This appliance is labelled in accordance with European Directive 2012/19/EU on Waste Electrical and Electronic Equipment Regulations 2013 regarding electric and electronic appliances (WEEE). The WEEE contain both polluting substances (that can have a negative effect on the environment) and base elements (that can be reused). It is important that the WEEE undergo specific treatments to correctly remove and dispose of the pollutants and recover all the materials. Individuals can play an important role in ensuring that the WEEE do not become an environmental problem; it is essential to follow a few basic rules:

- the WEEE should not be treated as domestic waste;
- the WEEE should be taken to dedicated collection areas managed by the town council or a registered company.

In many countries, domestic collections may be available for large WEEEs. When you buy a new appliance, the old one can be returned to the vendor who must accept it free of charge as a one-off, as long as the appliance is of an equivalent type and has the same functions as the purchased appliance.

NOTE:

The following shows how to reduce total environmental impact (e.g. energy use) of the cooking process).

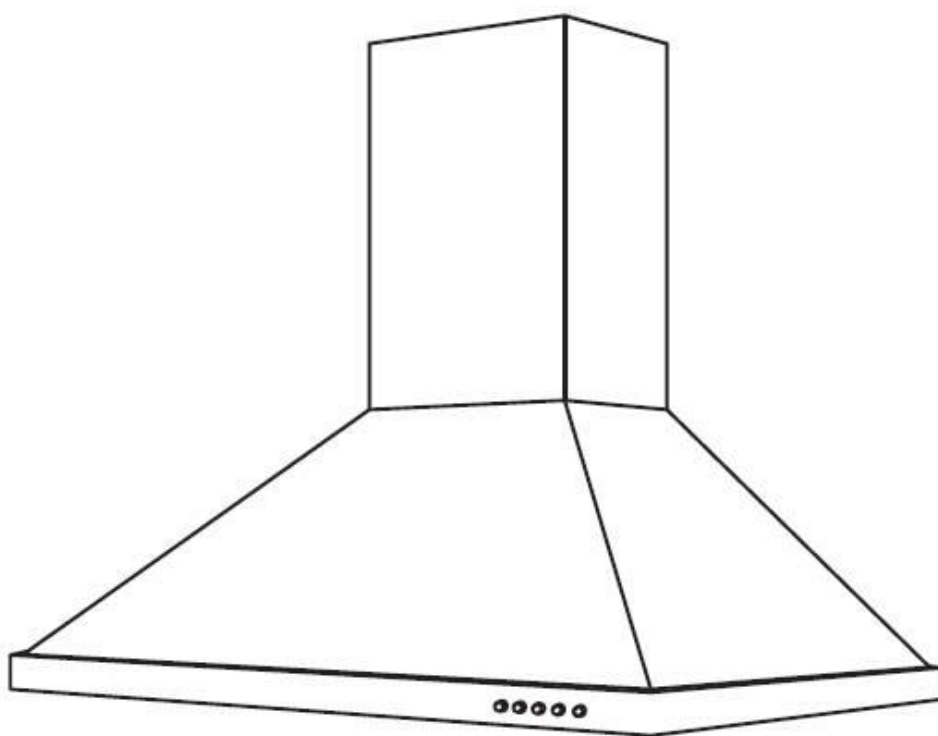
- (1) Install the cooker hood in a proper place where there is efficient ventilation.
- (2) Clean the cooker hood regularly so as not to block the airway.
- (3) Remember to switch off the cooker hood light after cooking.
- (4) Remember to switch off the cooker hood after cooking.

INFORMATION FOR DISMANTLING

Do not dismantle the appliance in a way which is not shown in the user manual. The appliance could not be dismantled by user. At the end of life, the appliance should not be disposed of with household waste. Check with you Local Authority or retainer for recycling advice.

Exaustor

Manual de Instruções



Índice

1.....	Instruções de segurança
2.....	Instalação
3.....	Começar a usar o seu exaustor
4.....	Resolução de problemas
5.....	Manutenção e limpeza
6.....	Proteção ambiente

INSTRUÇÕES DE SEGURANÇA

Este manual explica a instalação e a utilização correta do seu exaustor, leia-o atentamente antes de usar o produto, mesmo que já esteja familiarizado com o mesmo. O manual deve ser mantido num local seguro para referência futura. Estas instruções deverão estar sempre disponíveis num formato alternativo, por exemplo, num website ou a pedido, por parte do utilizador num formato como DVD.

O que nunca deve fazer:

- Nunca tente usar o exaustor sem os filtros de gordura ou se os filtros estiverem demasiado engordurados!
- Não instale sobre um fogão com um grelhador muito elevado.
- Não deixe frigideiras em uso sem supervisão porque gorduras ou óleos sobreaquecidos podem incendiar-se.
- Nunca deixe chamas desprotegidas debaixo do exaustor.



- Se o exaustor estiver danificado, não tente utilizá-lo.
- Não faça pratos flambé debaixo do exaustor.
- CUIDADO: As peças acessíveis podem tornar-se quentes quando usadas com aparelhos para cozinhar.
- A distância mínima entre a superfície de suporte e os recipientes para cozinhar no fogão e na parte mais baixa do exaustor. (Quando o exaustor estiver localizado sobre um aparelho a gás, esta distância deve ser de pelo menos 65 cm.)
- O ar não deve ser descarregado num cano de chaminé usado para evacuar fumos de eletrodomésticos que utilizem gás ou outros combustíveis.



O que deve fazer sempre:

- Importante Desligue sempre a fonte de alimentação na fonte durante instalação e manutenção como, por exemplo, quando troca uma lâmpada.
- O exaustor tem de ser instalado em conformidade com as instruções de instalação e deve cumprir todas as medições indicadas.
- Todo o trabalho de instalação tem de ser realizado por uma pessoa competente ou por um electricista qualificado.
- Elimine o material da embalagem cuidadosamente. As crianças são vulneráveis a este material.
- Preste atenção às extremidades aguçadas no interior do exaustor durante a instalação e limpeza.
- Quando o exaustor estiver colocado por cima de um aparelho a gás, a distância mínima entre a superfície de apoio para os recipientes para cozinhar no fogão e a parte mais baixa do exaustor tem de ser:
Fogões a gás: 75 cm
Fogões elétricos: 65 cm
Fogões a óleo ou carvão: 75 cm
- Certifique-se de que a canalização não tem dobras com um ângulo mais apertado que 90 graus uma vez que isto reduz a eficiência do exaustor.
- Aviso: Se os parafusos ou o dispositivo de fixação não forem montados de acordo com estas instruções, podem ocorrer riscos elétricos.
- Aviso: Antes de obter acesso a terminais, todos os circuitos de alimentação elétrica têm de estar desligados.

O que deve fazer sempre:

- Coloque sempre tampas nos tachos e panelas quando estiver a cozinhar num fogão a gás.
- Quando no modo de extração, o ar na divisão está a ser removido pelo exaustor. Certifique-se de que estão a ser cumpridas as medidas de ventilação apropriadas. O exaustor remove odores da divisão mas não o vapor.
- O exaustor destina-se apenas a uso doméstico.



- Se o cabo de alimentação estiver danificado, este tem de ser substituído pelo fabricante, pelo agente de serviço ou por pessoas igualmente qualificadas de forma a evitar o perigo.
- Este aparelho pode ser utilizado por crianças de idade igual ou superior a 8 anos e por pessoas com capacidades físicas, sensoriais ou mentais reduzidas ou falta de experiência e conhecimento, caso lhes tenha sido fornecida supervisão ou instruções relativas à utilização do aparelho de forma segura e desde que compreendam os perigos envolvidos. As crianças não devem brincar com o aparelho. A limpeza e manutenção pelo utilizador não deve ser realizada por crianças sem supervisão.



- Aviso: Antes de obter acesso a terminais, todos os circuitos de alimentação elétrica têm de estar desligados.

O que deve fazer sempre:

- **CUIDADO:** O aparelho e as suas peças acessíveis podem ficar quentes durante o funcionamento. Tenha o cuidado de evitar tocar nos elementos de aquecimento. Crianças com menos de 8 anos devem manter-se afastadas a menos que estejam sob constante supervisão.
- Deverá existir uma ventilação adequada da divisão quando o exaustor estiver a ser usado ao mesmo tempo que aparelhos que funcionam a gás ou outros combustíveis.
- Existe o risco de incêndio se a limpeza não for realizada de acordo com as instruções
- Os regulamentos referentes à descarga de ar têm de ser acatados.
- Limpe o seu aparelho periodicamente seguindo o método fornecido no capítulo **MANUTENÇÃO**.
- Por motivos de segurança, use apenas o mesmo tamanho de parafuso de montagem ou fixação recomendado neste manual de instruções.
- Erelação a dados sobre o método e sobre a frequência de limpeza, consulte a secção de manutenção e limpeza no manual de instruções.
- A limpeza e a manutenção pelo utilizador não devem ser realizadas por crianças sem supervisão.
- Quando o exaustor e aparelhos com fornecimento de energia que não eletricidade estiverem simultaneamente em funcionamento, a pressão negativa na divisão não deve exceder 4 Pa (4×10^{-5} bar).
- **AVISO:** Perigo de incêndio: não guarde artigos em cima das superfícies para cozinhar.
- Não deve nunca utilizar um aparelho de limpeza a vapor.
- **NUNCA** tente extinguir um incêndio com água, em vez disso desligue o aparelho e, em seguida, cubra a chama com, por exemplo, uma tampa ou um cobertor antifogo.

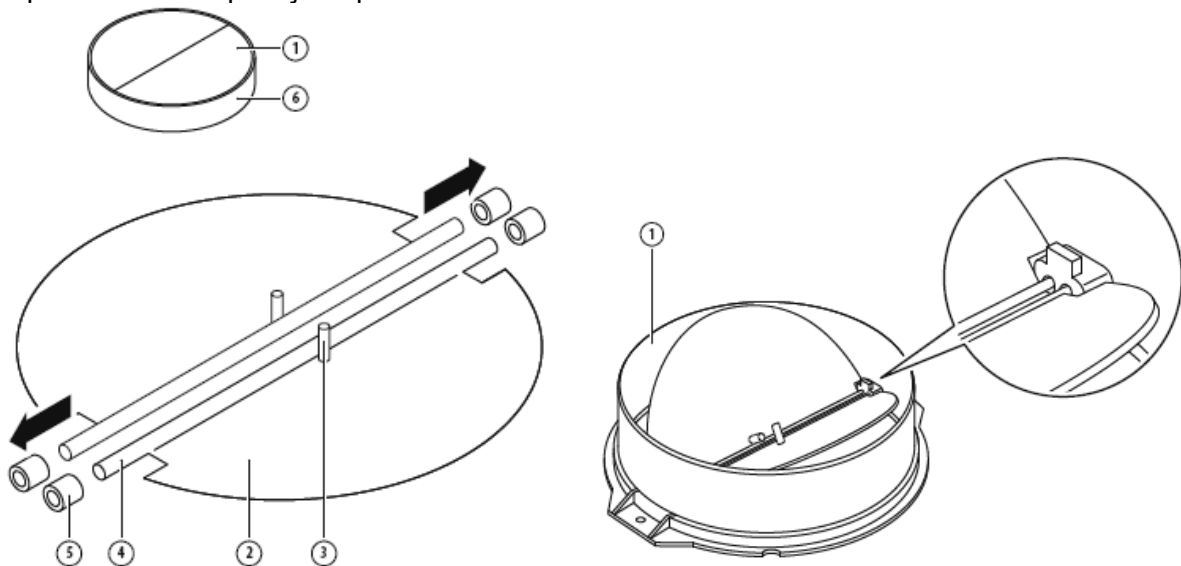
INSTALAÇÃO (VENTILAÇÃO EXTERIOR)

MONTAGEM DA UNIDADE DE ALETAS

Se o exaustor não tiver uma unidade de aletas 1 montada, deve montar as metades na sua estrutura. As imagens apenas mostram um exemplo de como montar a unidade de aletas, a saída pode ser diferente de acordo com os diferentes modelos e configuração.

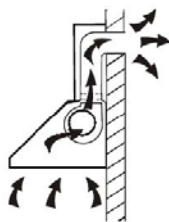
Para montar a unidade de aletas 1 deverá:

- montar duas metades 2 na armação 6
- um pino 3 deve estar orientado para o topo;
- o eixo 4 deve ser inserido nos orifícios 5 na armação;
- repetir todas as operações para a 2ª metade



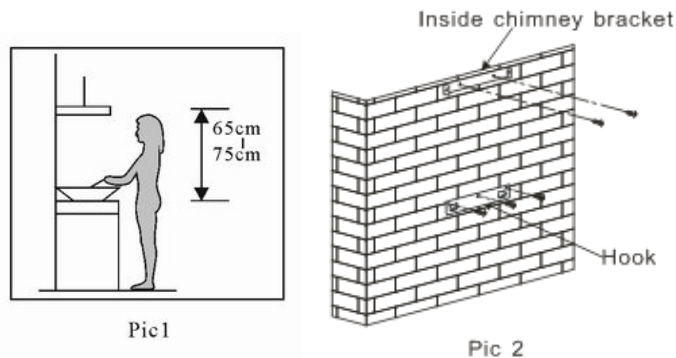
INSTALAÇÃO

Se tiver uma saída para o exterior, o seu exaustor pode ser ligado como apresentado na imagem a seguir através de um tubo de extração (tubo flexível ou material não inflamável, esmalte ou alumínio com um diâmetro interior de 150 mm)



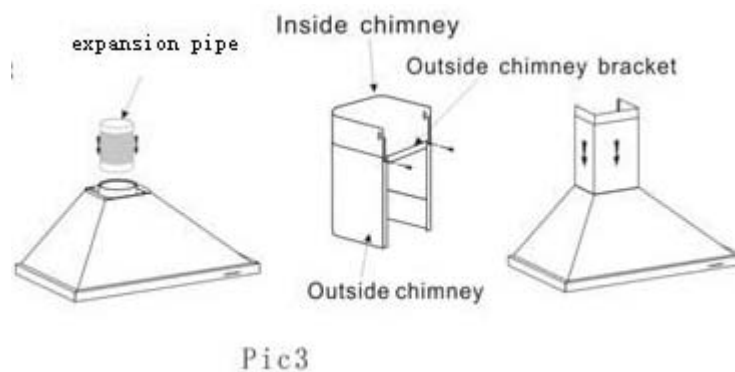
1. Antes de realizar a instalação.

2. O exaustor deve ser colocado a uma distância de 65~75 cm acima da superfície para cozinhar para obter um melhor resultado.



3. Instale o fogão num local adequando logo que esteja determinada a altura de instalação e mantenha-o alinhado. A posição fixa no suporte da chaminé do lado de dentro é o local da chaminé. Ver Fig. 2

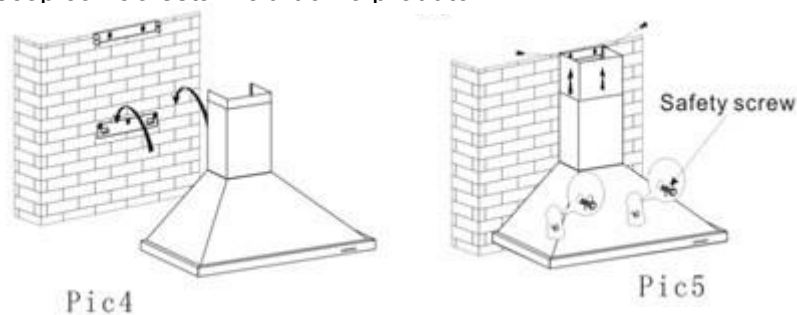
4. Prenda o suporte do exterior da chaminé no lado de fora da chaminé e certifique-se de que o interior da chaminé pode ser ajustado em altura livremente bem como a fixação do tubo de expansão. Depois disso, instale o tubo de expansão e a chaminé no exaustor do fogão. Ver Fig. 3.



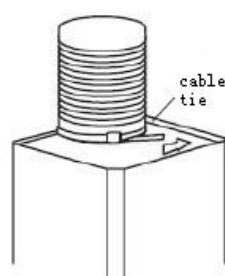
5. Ponha o exaustor do fogão no gancho. Ver Fig. 4.

6. Ajuste a altura da chaminé interior para a posição do suporte da chaminé interior e prenda com o parafuso, depois de ajustar a posição, fixe a armação com o parafuso de segurança. Ver Fig. 5.

Nota. O tubo telescópico não está incluído no produto



Nota: As duas ventilações de segurança estão posicionadas no alojamento traseiro com um diâmetro de 6 mm. Ponha o tubo de expansão na saída da parede. Fixe o tubo de expansão com o tensor de cabos na tomada de parede.



Instalação elétrica

Toda a instalação deve ser realizada por uma pessoa competente ou por um electricista qualificado. Antes de conectar a rede, certifique-se de que a tensão da rede corresponda à indicada na placa de identificação.

Conexão direta

O aparelho deve ser conectado diretamente à rede elétrica usando um disjuntor omnipolar com uma abertura mínima de 3mm entre os contatos.

O instalador deve garantir que a conexão elétrica correta foi feita e que está em conformidade com o diagrama de fiação.

O cabo não deve ser dobrado ou comprimido.


Verifique regularmente se o plugue e o cabo de alimentação estão danificados. Se o cabo de alimentação estiver danificado, deve ser substituído por um cabo ou conjunto especial disponível no fabricante ou em seu agente de serviço.

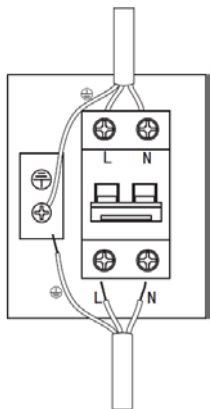
AVISO: Este é um aparelho de Classe I e DEVE ser aterrado

Este aparelho é fornecido com um cabo de alimentação de 3 núcleos nas cores a seguir:

Brown = L ou Live

Azul = N ou neutro

Verde e Amarelo = E ou Terra 

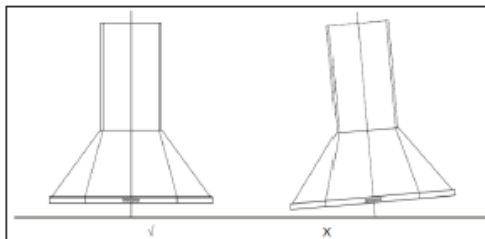



DICAS PARA INSTALAÇÃO DA CONDOTA DE EXAUSTÃO

As seguintes regras devem ser estritamente seguidas para obter uma extração de ar ideal:

- Mantenha o tubo de expansão curto e direito.
- Não reduza o tamanho nem restrinja o tubo de expansão.
- Quando utilizar o tubo de expansão instale sempre o tubo esticado para minimizar perdas de pressão.
- O não cumprimento destas instruções básicas irá reduzir o desempenho e aumentar os níveis de ruído do exaustor.
- Qualquer trabalho de instalação deve ser efetuado por um electricista qualificado ou pessoa competente.
- Não ligue o sistema de condutas do exaustor a qualquer sistema de ventilação existente que esteja a ser utilizado para qualquer outro aparelho, tal como um tubo de aquecimento, tubo de gás, tubo de vento quente.

- O ângulo de curvatura do tubo de expansão não pode ser inferior a 120°; deve orientar o tubo horizontalmente ou, em alternativa, o tubo deve ir desde o ponto inicial e deve estar dirigido para uma parede externa.
- Depois da instalação, certifique-se de que o exaustor está nivelado para evitar a recolha de gordura no final.
- Certifique-se de que o tubo de expansão selecionado para instalação está em conformidade com as normas relevantes e é anti-incendio.



<p>AVISO:</p> 	<ul style="list-style-type: none"> ➤ Por motivos de segurança, use apenas o mesmo tamanho de parafuso de montagem ou fixação recomendado neste manual de instruções. ➤ Se os parafusos ou o dispositivo de fixação não forem montados de acordo com estas instruções, podem ocorrer riscos elétricos.
--	---

Começar a utilizar o exaustor

Botão de pressão

- 1) Prima o botão "stop" (parar) e o motor para.
- 2) Prima o botão "low" (baixo) e o motor funciona a baixa velocidade.
- 3) Prima o botão "middle" (médio) e o motor funciona a velocidade média.
- 4) Prima o botão "high" (alto) e o motor funciona a velocidade elevada.
- 5) Prima o botão "light" (luz) e as duas luzes acendem-se. Prima novamente e a luz apaga-se.



RESOLUÇÃO DE PROBLEMAS

Problema	Causa possível	Solução
Luz acesa, mas o motor não funciona	Interruptor de ventoinha desligado	Selecione uma posição do interruptor da ventoinha
	Falha do interruptor da ventoinha	Contacte o centro de serviço.
	Falha do motor	Contacte o centro de serviço.
A luz não acende, o motor não funciona	Fusíveis domésticos fundidos	Volte a ligar/substitua os fusíveis.
	Cabo de alimentação solto ou desligado	Volte a ligar o cabo à tomada. Ligue a alimentação.
Fuga de óleo	A válvula unidirecional e a saída não estão bem vedadas	Retire a válvula unidirecional e vede com vedante.
	Fuga na ligação da chaminé e cobertura.	Retire a chaminé e vede.
As luzes não funcionam	Globos quebrados/defeituosos	Substitua os globos de acordo com esta instrução.
Aspiração insuficiente	A distância entre o exaustor e a boca a gás é demasiado grande	Volte a posicionar o exaustor de acordo com uma distância correta.
O exaustor está inclinado	O parafuso de fixação não está suficientemente apertado	Aperte o parafuso de pendurar e certifique-se de que fica na horizontal.

NOTA:



Quaisquer reparações elétricas a este aparelho devem estar em conformidade com as suas leis locais, estatais e federais. Contacte o centro de assistência se tiver alguma dúvida antes de efetuar alguma das operações acima. Desligue sempre a unidade da rede quando abrir a unidade.

MANUTENÇÃO E LIMPEZA

Cuidado:

- Antes de realizar a manutenção ou limpeza, o exaustor deve ser desligado da fonte de alimentação. Certifique-se de que o exaustor está desligado da tomada.
- As superfícies externas são suscetíveis a riscos e abrasões, por isso siga as instruções de limpeza para se certificar de que obtém o melhor resultado possível sem ocorrência de danos.

ASPETOS GERAIS

A limpeza e manutenção deverão ser efetuadas com o aparelho frio especialmente quando se limpa. Evite deixar substâncias alcalinas ou ácidas (sumo de limão, vinagre, etc.) nas superfícies.

AÇO INOXIDÁVEL

O aço inoxidável deve ser limpo regularmente (ou seja, semanalmente) para garantir uma longa esperança de vida. Seque com um pano macio e limpo. Pode utilizar um líquido de limpeza especializado para aço inoxidável.

NOTA:

Certifique-se de que a limpeza é realizada ao longo do grão do aço inoxidável para impedir a formação de padrões cruzados antiestéticos.

SUPERFÍCIE DO PAINEL DE CONTROLO

O painel de controlo incorporado pode ser limpo usando água com sabão. Certifique-se de que o pano está limpo e bem espremido antes de realizar a limpeza. Utilize um pano macio seco para remover humidade em excesso existente após a limpeza.

Importante

Use detergentes neutros e evite o uso de químicos de limpeza abrasivos, detergentes domésticos fortes ou produtos com abrasivos, uma vez que estes afetarão a aparência do aparelho e potencialmente removerão qualquer impressão de ilustrações do painel de controlo e invalidarão a garantia do fabricante.

FILTROS DE REDE DE GORDURA

Os filtros de rede podem ser limpos manualmente. Mergulhe-os durante cerca de três minutos em água com um detergente de libertação de gordura e, em seguida, escove-os suavemente com uma escova suave. Não aplique muita pressão, para evitar danificar os filtros. (Deixe secar naturalmente sem exposição direta à luz solar.)

Os filtros devem ser limpos separadamente de utensílios de cozinha e louça. É aconselhável que não use abrillantador.

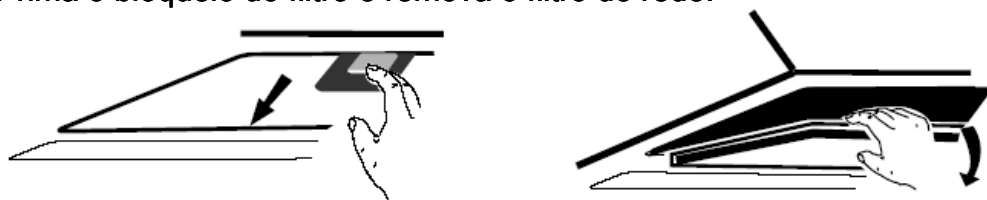
INSTALAR OS FILTROS DE REDE DE GORDURA

- Siga os quatro passos a seguir para instalar os filtros:
 - Oriente o filtro de acordo com as ranhuras na parte traseira do exaustor.
 - Pressione o botão na pega do filtro.
 - Liberte a pega assim que o filtro encaixar numa posição de repouso.
 - Repita a ação para instalar todos os filtros.

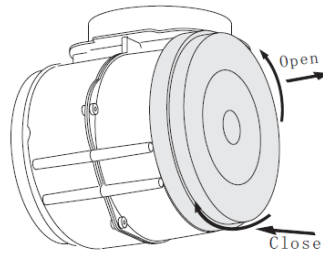
FILTRO DE CARVÃO - não fornecido

É possível usar um filtro de carvão ativado para captar odores. Normalmente o filtro de carvão ativado deve ser substituído a cada três ou seis meses consoante os seus hábitos de cozinhar. O procedimento de instalação do filtro de carvão ativado é indicado a seguir.

1. Antes de instalar ou substituir os filtros de carvão, remova a energia da unidade.
2. Prima o bloqueio do filtro e remova o filtro de rede.



3. Rode o filtro de carvão em ambos os lados do motor no sentido dos ponteiros do relógio. Substitua os filtros de carvão pelos novos filtros de carvão.
4. Ponha o filtro de rede.
5. Ligue a alimentação à tomada.



NOTA:

- Certifique-se de que o filtro está bem preso. Caso contrário, este pode soltar-se e pode constituir um perigo.
- Com um filtro de carvão ativado instalado, o poder de aspiração será reduzido.

SUBSTITUIÇÃO DA LÂMPADA

<p>Importante:</p>	<ul style="list-style-type: none"> ✧ A lâmpada tem de ser substituída pelo fabricante, pelo seu agente de serviço ou por pessoas igualmente qualificadas. ✧ Desligue sempre a fonte de alimentação antes de realizar quaisquer operações no aparelho. Ao manusear a lâmpada, certifique-se de que esta está completamente fria antes de qualquer contacto com as mãos. ✧ Ao manusear os globos segure-os com um pano ou com luvas para se certificar que a transpiração não entra em contacto com os mesmos uma vez que isso pode reduzir a vida útil do globo.
--------------------	--

Nota:

- Antes de substituir luz que a coifa pode ser isolado a partir da rede de fornecimento por meio de uma ficha ou de um comutador de todos os polos).
- Proteja-se contra o perigo ao trocar as luzes, como usar luvas.

Mudando as luzes:

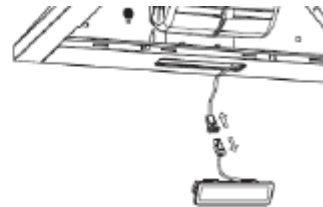
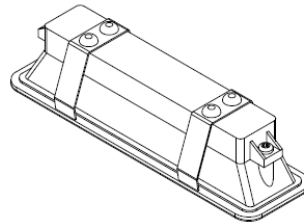
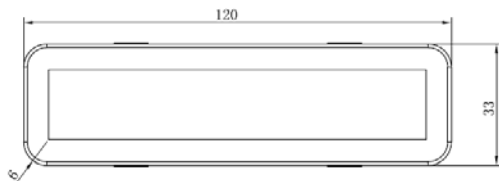
Remova o filtro de gordura.

Maneira 1. Use uma ferramenta ou a mão para pressionar a lasca da mola de ambos os lados da luz LED para dentro, até que a luz seja pressionada para fora, ver foto 1. Em seguida, puxe levemente o fio de conexão da luz para fora e desmonte o terminal do fio de conexão leve Ver foto 2.

Maneira 2. Use uma chave de fenda reta para levantar a borda inferior da luz LED, veja a figura 3, a seguir puxe levemente a luz LED e o fio de conexão da luz. Veja a figura 2.

Aplique o procedimento inverso para instalar a luz de volta.

- O código ILCOS D para esta lâmpada é: DBS-2,5/65-H-120/33
 - Módulos LED –lâmpada retangular
 - Tensão máx.: 1×2 W
 - Gama de tensão: CA 110-240 V
 - Dimensões:



PROTEÇÃO DO AMBIENTE:



Este aparelho está rotulado em conformidade com a Diretiva Europeia 2012/19/UE relativa aos resíduos de equipamentos elétricos e eletrónicos (REEE) 2013 em relação aos aparelhos elétricos e eletrónicos. Os REEE contêm substâncias poluentes (que podem ter um efeito negativo no meio ambiente) e elementos base (que podem ser reutilizados). É importante que os REEE sejam submetidos a tratamentos específicos para remover e eliminar os poluentes e recuperar todos os materiais. As pessoas podem desempenhar um papel importante para garantir que os REEE não representem um problema ambiental; é essencial que sejam cumpridas algumas normas básicas:

- Os REEE não devem ser tratados como lixo doméstico;
- Os REEE devem ser levados para áreas de recolha dedicadas administradas pelo município ou por uma empresa registada. Em muitos países, as recolhas domésticas podem estar disponíveis para grandes REEEs. Quando compra um aparelho novo, o antigo pode ser devolvido ao revendedor, que deve aceitar a recolha gratuitamente, desde que o aparelho seja de um tipo equivalente e tenha as mesmas funções do aparelho fornecido.

NOTA:

A seguir indicamos como reduzir o impacto ambiental total (por ex. uso energético) do processo de cozinhar.

- (1) Instale o exaustor num local adequado onde exista uma ventilação eficiente.
- (2) Limpe o exaustor regularmente de modo a não bloquear as vias aéreas.
- (3) Lembre-se de desligar a luz do exaustor depois de cozinhar.
- (4) Lembre-se de desligar o exaustor depois de cozinhar.

INFORMAÇÃO SOBRE DESMANTELAMENTO

Não desmonte o aparelho de um modo não indicado no manual de instruções. O aparelho não pode ser desmontado pelo utilizador. No final da sua vida útil, o aparelho não deve ser eliminado juntamente com os resíduos domésticos. Consulte a sua autoridade local ou retentor em relação a conselhos de reciclagem.