



PRDE0004

**Manual for Installation, Use and Maintenance
Downdraft Cooker Hood**

Important

The manufacturer cannot be held responsible for injuries or losses caused by incorrect use or installation of this product. Please note that the manufacturer reserves the right to invalidate the guarantee supplied with this product following incorrect installation or misuse of the appliance or use in a commercial environment.

This appliance is not designed to be used by people (including children) with reduced physical, sensorial or mental capacity, or who lack experience or knowledge about it, unless they have had supervision or instructions on how to use the appliance by someone who is responsible for their safety.

Under no circumstances should any external covers be removed for servicing or maintenance, except by suitably qualified personnel.

Appliance information:

Please enter the details on the appliance rating plate below for reference, to assist Customer Care in the event of a fault with your appliance and to register your appliance for guarantee purposes.

Appliance Model

Serial Number

CE Declarations of Conformity:

This appliance has been manufactured to the strictest standards and complies with all applicable legislation, including Gas safety, Electrical safety (LVD) and Electromagnetic interference compatibility.

IMPORTANT INFORMATION FOR THE CORRECT DISPOSAL OF THE PRODUCT, IN ACCORDANCE WITH EC DIRECTIVE 2002/96/EC.

At the end of its working life, the product must be taken to a special local authority waste collection centre or to a dealer providing appliance recycling services. Disposing of a household appliance separately avoids possible negative consequences for the environment and health. It also enables the constituent materials to be recovered, saving both energy and resources.

As a reminder of the need to dispose of household appliances separately, the product is marked with a crossed-out wheeled dustbin.

Please note:

- Under no circumstances should the extractor be connected to any gas ventilation system, flue system or hot air ducting system.
- Do not vent the extractor into an attic or loft space.
- Only house the extractor in rooms with adequate ventilation. Remember that the extractor is powerful and whatever air is extracted needs to be replaced.
- Do not tile the extractor in. It should be removable for service or maintenance.
- You must be able to isolate the extractor from the mains electrical supply after installation.
- Steam cleaners must not be used when cleaning this appliance.
- The performance of your extractor will vary depending on a number of factors. These include: type of extraction, length of ducting, room volume, ventilation available and cleanliness of the filters.

The extractor should be used only with an electric hob and is not suitable for use on gas hobs / appliances.

Information and Advice

CAUTION: Accessible parts may become hot when used with cooking appliances.

In certain circumstances electrical appliance may be a danger hazard.

A) There must be adequate ventilation of the room when the cooker hood is used at the same time as appliances burning gas or other fuels.

B) Do not check the status of the filters while the cooker hood is operating.

C) Do not touch the light bulb within half an hour after appliance has been used.

D) Do not light a flame under the cooker hood.

E) Avoid opening gasometer when there is no pan on the stove, as it is damaging for the filters and a fire hazard.

F) Constantly check food frying to avoid overheated oil splashing and becoming a fire hazard.

G) Disconnect the electrical plug prior to any maintenance.

H) Regulations concerning the discharge of air have to be fulfilled.

I) When the range hood and appliances supplied with energy Other than electricity are simultaneously in operation. The negative pressure in the room must not exceed 4 Pa (4x10⁻⁵ bar).

J) If the supply cord is damaged, it must be replaced by the manufacturer, its service agent or similarly qualified persons in order to avoid a hazard.

K) This appliance can be used by children aged from 8 years and above and persons with reduced physical, sensory or mental capabilities or lack of experience and knowledge if they have been given supervision or instruction concerning use of the appliance in a safe way and understand the hazards involved. Children shall not play with the appliance. Cleaning and user maintenance shall not be made by children unless they are older than 8 and supervised.

L) The range hood is intended to be installed over a hob having no more than four hob elements.

M) Indoor use and household use only.

N) When the appliance is not in use and before cleaning, unplug the appliance from the outlet.

O) Attention ! Observe the warning in the instruction sheet concerning the operation of the appliance when air is discharged from the room.

P) There is a fire risk if cleaning is not carried out in accordance with the instructions.

Q) The air must not be discharged into a flue that is used for exhausting fumes from appliances burning gas or other fuels (not applicable to appliances that only discharge the air back into the room).

I) Children should be supervised to ensure that they do not play with the appliance.

S) Warning: Failure to install the screws or fixing device in accordance with these instructions may result in electrical hazards.

T) The installation height of hood shall not be less than 65cm.

U) The filter screen must be cleaned regularly, otherwise there is a danger of fire.

V) The installation must be carried out according to the screws and positions required by the instructions, which will easily damage the connecting wires.

W) If the supply cord is damaged, it must be replaced by the manufacturer, its service agent or similarly qualified persons in order to avoid a hazard.

Using your Extractor

For best performance, you should switch on the extractor 15 minutes before starting for approximately 15 minutes after the end of cooking.

Control Panel

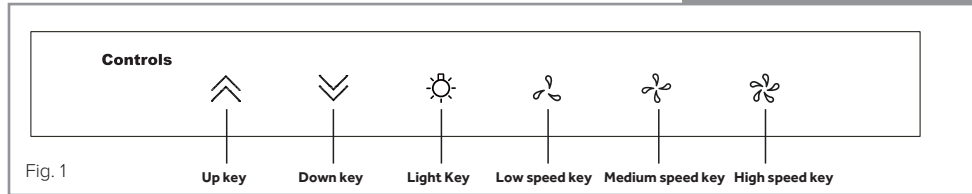


Fig. 1

- **Up key:** Press the “Up key” for 2 seconds to raise the extraction panel.
When the extraction panel has risen halfway, the fan will start working at the low speed.
- **Down key:** Press the “Down key” for 2 seconds to lower the extraction panel.
When the extraction panel has descended halfway, the fan will stop.
- **Light key:** Touch this key to switch on/off the lights.
When the extraction panel drops down halfway, the light will turn off automatically.
- **High speed key:** Touch the key for high speed; touch again to switch off the fan.
If you press the medium speed key or low speed key, the fan speed will change.
- **Medium speed key:** Touch the key for medium speed; touch again to switch off the fan.
If you touch the high speed key or low speed key, the fan speed will change.
- **Low speed key:** Touch the key for low speed; touch again to switch off the fan.
If you touch the high speed key or middle speed key, the fan speed will change.
- **Timer:** Press any speed button for 3 seconds when the appliance is working and the key will flash.
The extractor will enter into timer mode and stop working after 15 minutes.

Mains Electricity Connection

THIS APPLIANCE MUST BE CONNECTED TO THE MAINS SUPPLY BY A COMPETENT PERSON, USING FIXED WIRING VIA A DOUBLE POLE SWITCHED FUSE SPUR OUTLET AND PROTECTED BY A 3A FUSE.

Warning! This appliance must be earthed.

We recommend that the appliance is connected by a qualified electrician, who is a member of the N.I.C.E.I.C. and who will comply with the I.E.T. and local regulations.

The wires in the mains lead of this appliance are coloured in accordance with the following code:

Green & Yellow = Earth, Blue = Neutral, Brown = Live.

As the colours of the wires in the mains lead for the appliance may not correspond with the coloured markings identifying the terminals connecting to the fuse spur, proceed as follows:

- The wire which is coloured green and yellow must be connected to the terminal marked E (Earth) or coloured green.
- The wire which is coloured blue must be connected to the terminal marked N (Neutral) or coloured black.
- The wire which is coloured brown must be connected to the terminal marked L (Live) or coloured red.

Note: Use a 3A Fuse

Assembly and electrical connection should be carried out by qualified personnel.

When installing this product, we recommend you seek the help of another individual.

Do not mount the isolation switch so that it cannot be accessed. It is a requirement that you must be able to isolate the extractor from the mains electrical supply after installation.

This appliance is intended to be connected to the mains electrical supply by means of an isolation switch and fused spur and is intended to be protected by a 3A fuse. The use of a 13A fuse can cause damage to the internal wiring in the event of a fault and may also invalidate the warranty.

Electrical Information

Mains electrical voltage: 230 – 240Vac, 50Hz

Total rated power consumption:

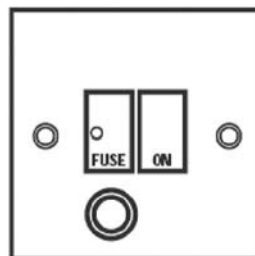
186W

Troubleshooting

If your extractor is not working:

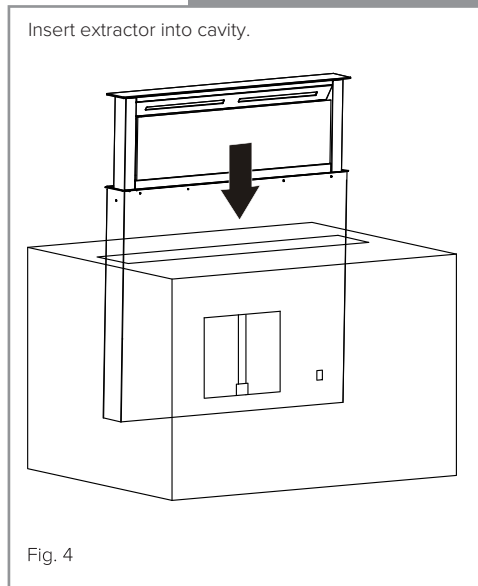
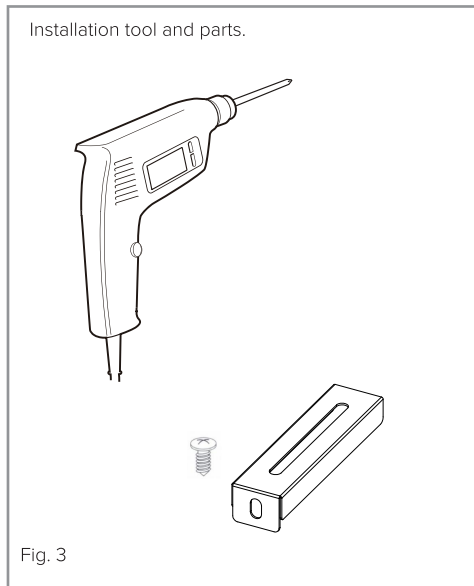
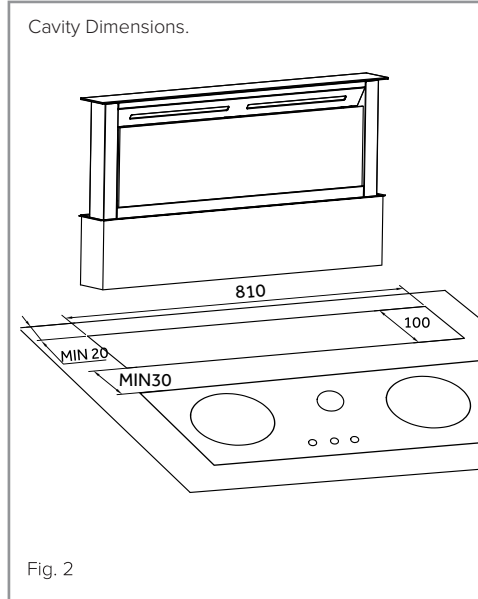
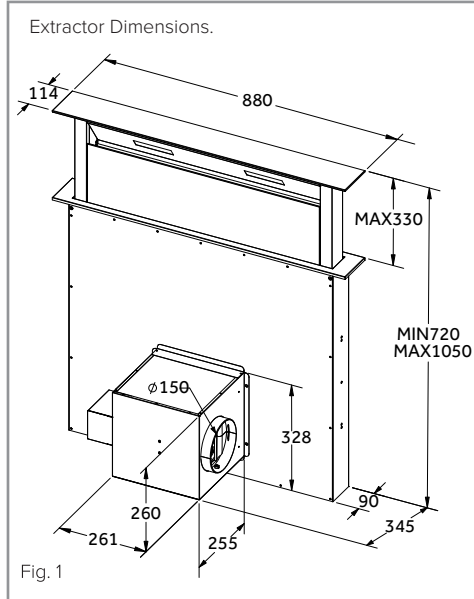
1. Check that the mains supply has not been switched off.
2. Check that the fuse in the spur has not blown.

DOUBLE POLE SWITCHED
FUSE SPUR OUTLET



USE A 3 AMP FUSE

INSTALLATION



Install in place, then use ST4x10 screws to fix bracket to the extractor.

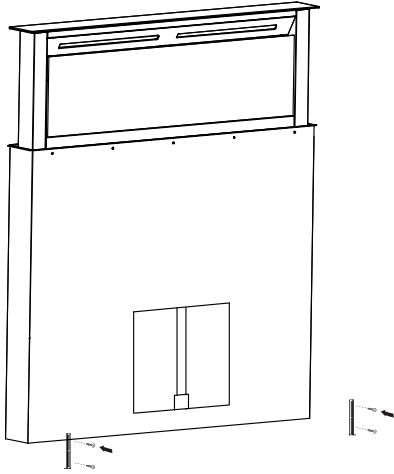


Fig. 5

Use ST4x10 screws to attach bracket to cavity interior.

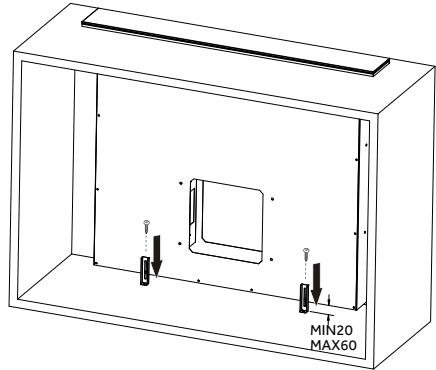


Fig. 6

Use ST4x10 screw fix motor on the extractor.

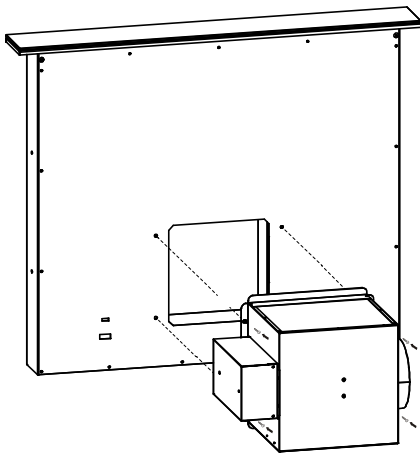


Fig. 7

Install power cable as shown below.

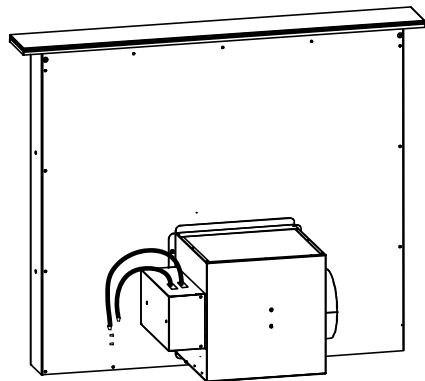


Fig. 8

Remove the carbon filter baffle.

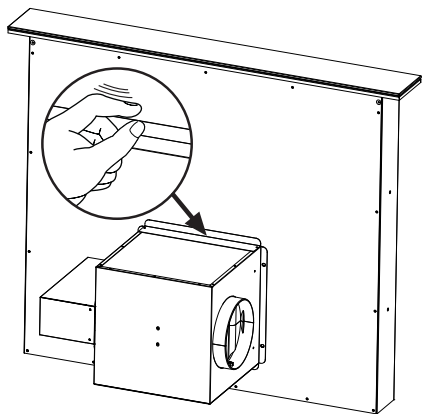


Fig.9

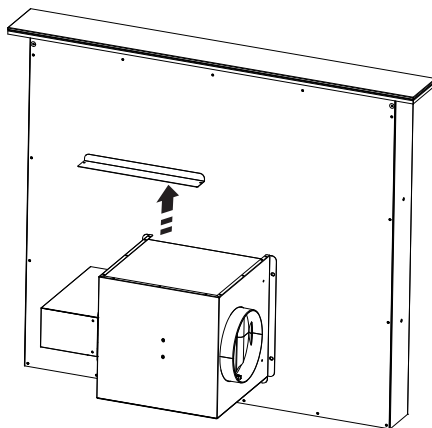


Fig.10

Insert the carbon filter from here and put it back in the cover of the carbon filter.

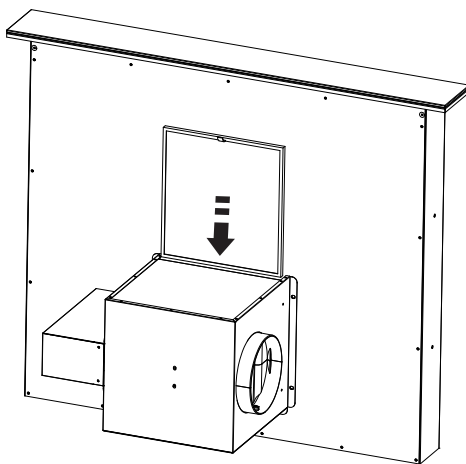


Fig.11

Installation Instructions

BEFORE YOU BEGIN

Read these instructions completely and carefully.

NOTE:

We recommend that you seek the help of qualified individual(s) when installing this product.

The fixings supplied are suitable for most installations. It is the responsibility of the installer to ensure that the fixings are suitable for the cabinets in the property.

Prior to installation, check that all parts are present and free from transit damage. In the event of damage being discovered contact the retailer and do not proceed with installation.

Before making a cut-out in the kitchen cabinets or worktop, ensure that there are no structural (or other) obstructions that would hinder installation. Ensure that the cabinet dimensions are sufficient to accommodate the extractor, allowing for the specified clearance between the final installed positions of the extractor and the hob.

Ensure all packaging has been removed prior to installation.

Make a rectangular cut-out in the worktop to accommodate the extractor (Fig.2).

If your extractor has been supplied with the motor unit already mounted on the main body, this needs to be dismantled to enable the extractor to be inserted through the worktop cut-out (Fig.4).

Lower the main body of the downdraft extractor through the support frame and into its fitted position. When mounting the extractor, handle with care to avoid damage to decorative parts.

Fix the downdraft extractor inside the cabinet using the special fixing brackets supplied (Fig.5-6). The brackets should first be attached to the extractor body in such a way that they leave a gap of approx. 2mm between the brackets and the base of the cabinet. The screws fixing the brackets to the cabinet base are then used to pull the downdraft extractor firmly into its final installed position.

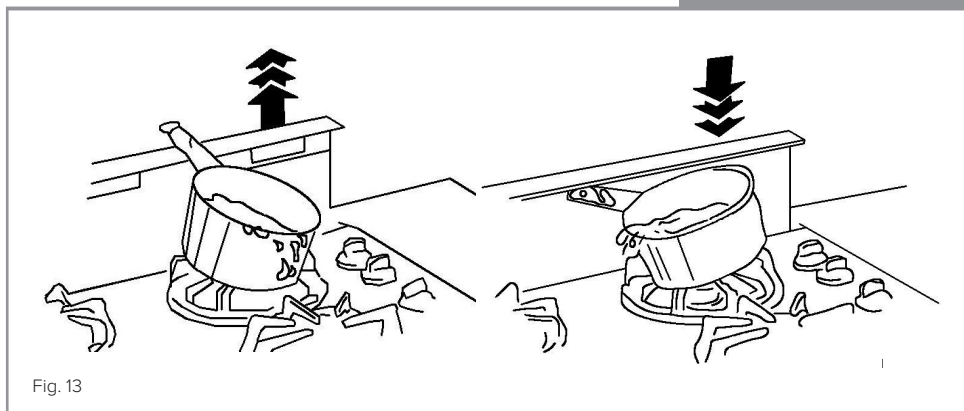
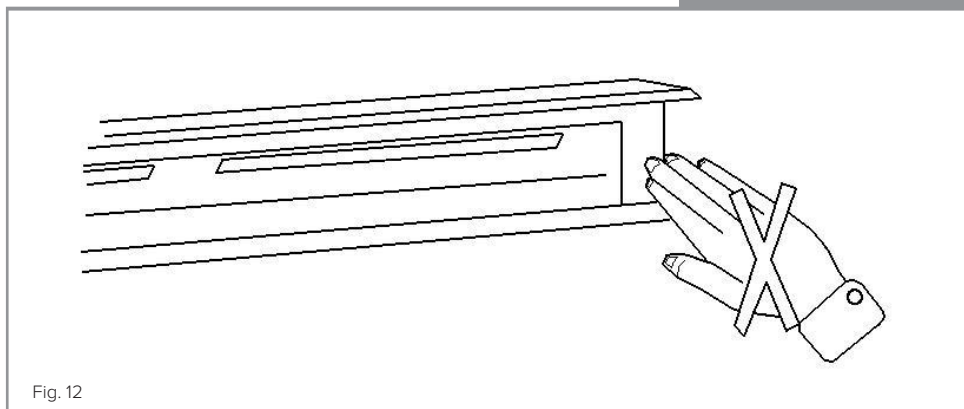
NOTE: Ensure that the downdraft extractor unit is vertical and perpendicular to the worktop before fitting the brackets to the cabinet base.

Install the power cable as shown in Fig.8.

For the installation of the charcoal filter and grease filters, refer to page 9 (Fig.9-11).

Danger

1. When the panel is lowering, DO NOT place your hand on the decorative panel – DANGER of trapping fingers (Fig.12).
2. Ensure that there are no other items in the vicinity of the extractor panel to hinder it from rising/lowering and take care not to leave pan handles over the area where the extractor panel rises, due to risk of spillage (Fig.13).
3. KEEP CHILDREN AWAY FROM THE APPLIANCE WHEN IT IS OPERATING.
4. Do not leave pan handles over the area where the hood rises, due to risk of spillage.





GUARANTEE

Your new product is guaranteed against defects in materials and/or workmanship. Any parts found to be defective will be repaired or replaced at our discretion. All repairs must be carried out by an authorised Repair Agent. Your extractor comes with a 5 years Parts 2 years Labour Guarantee (subject to registration within 30 days of purchase).

THIS GUARANTEE IS VALID PROVIDING THAT :

- The appliance has been installed by a suitably qualified person
- Installation has been carried out in accordance with instructions and current legislation
- Proof of purchase can be produced
- The appliance has been used for domestic purposes only
- The appliance has not been tampered with or repair attempted or modified by any unauthorised person

THIS GUARANTEE DOES NOT COVER :

- Damage by misuse, neglect or transit
- Use of parts that have not been recommended
- Routine maintenance, general wear & tear and installation faults
- Rubber seals, removable glass and/or plastic parts, fuses or light bulbs which all need replacing periodically
- Second-hand or reconditioned appliances
- Appliances used for commercial or professional purposes

This guarantee does not in any way affect your statutory legal rights.

Attribute	Symbol	Value	Units
Model Identification		PRDE0004	
Annual Energy Consumption	AEC_{Hood}	55.45	kWh
Time Increase factor	f	1.12	
Fluid Dynamic Efficiency	FDE_{Hood}	24.3	
Energy Efficiency Index	EEl_{Hood}	63.6	
Measured Pressure at Best Efficiency Point	P_{BEP}	370	Pa
Measured Electric Power at Best Efficiency Point	W_{BEP}	125.2	W
Nominal Lighting Power	WL	5.6	W
Average Illumination of the lighting system on the cooking surface	E_{Middle}	131	Lux
Measured Power Consumption in standby	P_s	/	W
Measured Power Consumption off mode	P_o	0.35	W
Noise Level	L_{WA}	67	dBA
Grease Filter Efficiency	GFE_{Hood}	56.7 (E)	%
Lamp Efficiency	LE_{Hood}	23.4 (B)	%

E & O E. All instructions, dimensions and illustrations are provided for guidance only. Prima reserve the right to change specifications without prior notice.



Please call **PRIMA CARE** for Service;
Contact number: 0344 576 6841
Website: www.prima-appliances.uk/primacare