



prima
The Smarter Choice™

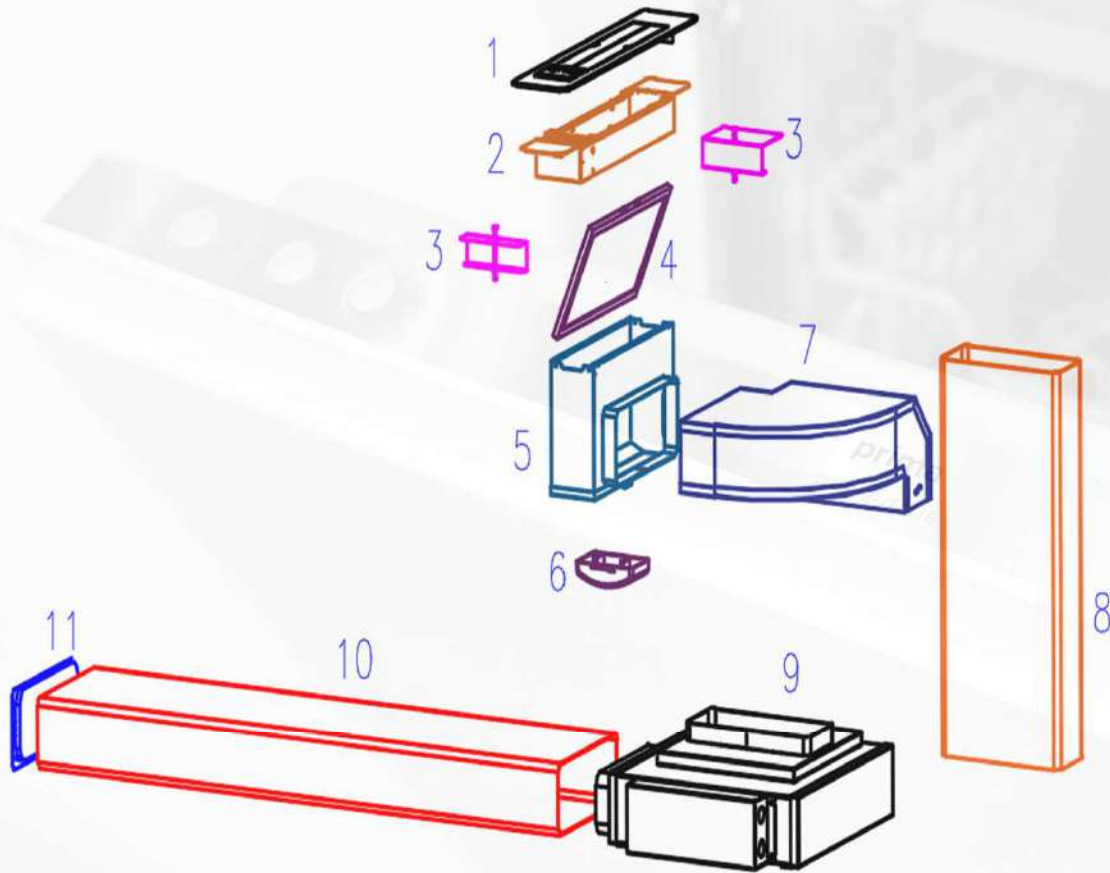
Appliances | Sinks | Taps

PRVH001 SET UP DEMONSTRATION



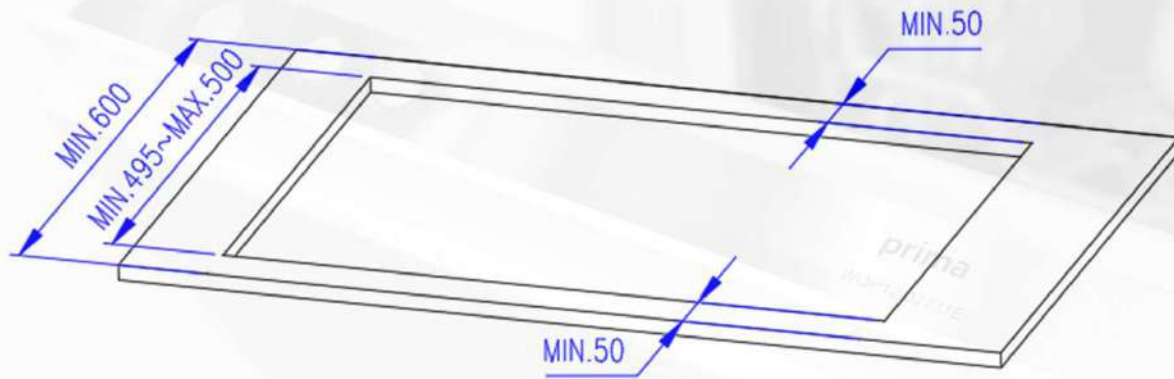
NOTE:
THIS DOCUMENT IS INTENDED TO DEMONSTRATE THE PRODUCT'S GENERAL SET UP REQUIREMENTS -
FOR FULL INSTALLATION GUIDANCE REFER TO THE PRODUCT'S USER MANUAL

Components



- + 1: Desktop flip smoke guide
- + 2: Main Frame
- + 3: Mounting fastener
- + 4: Filter
- + 5: Wind box
- + 6: Cup
- + 7: Steering joint
- + 8: Connecting pipe
- + 9: Motor
- + 10: Air duct (can be connected to the circle)
- + 11: Carbon box and outlet grille

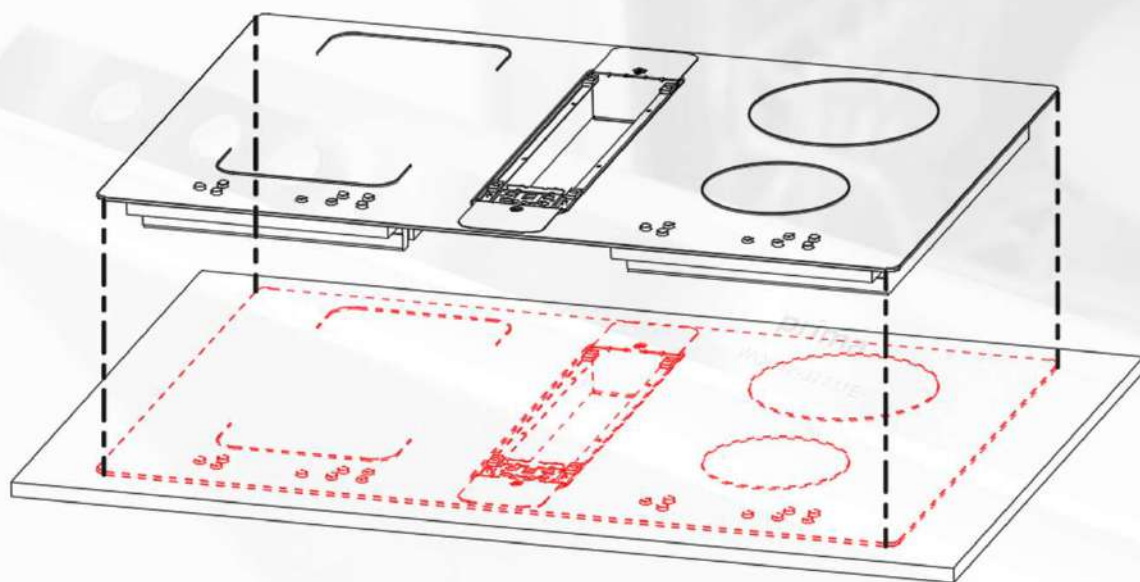
+ Hob Installation



Cut Out Dimensions

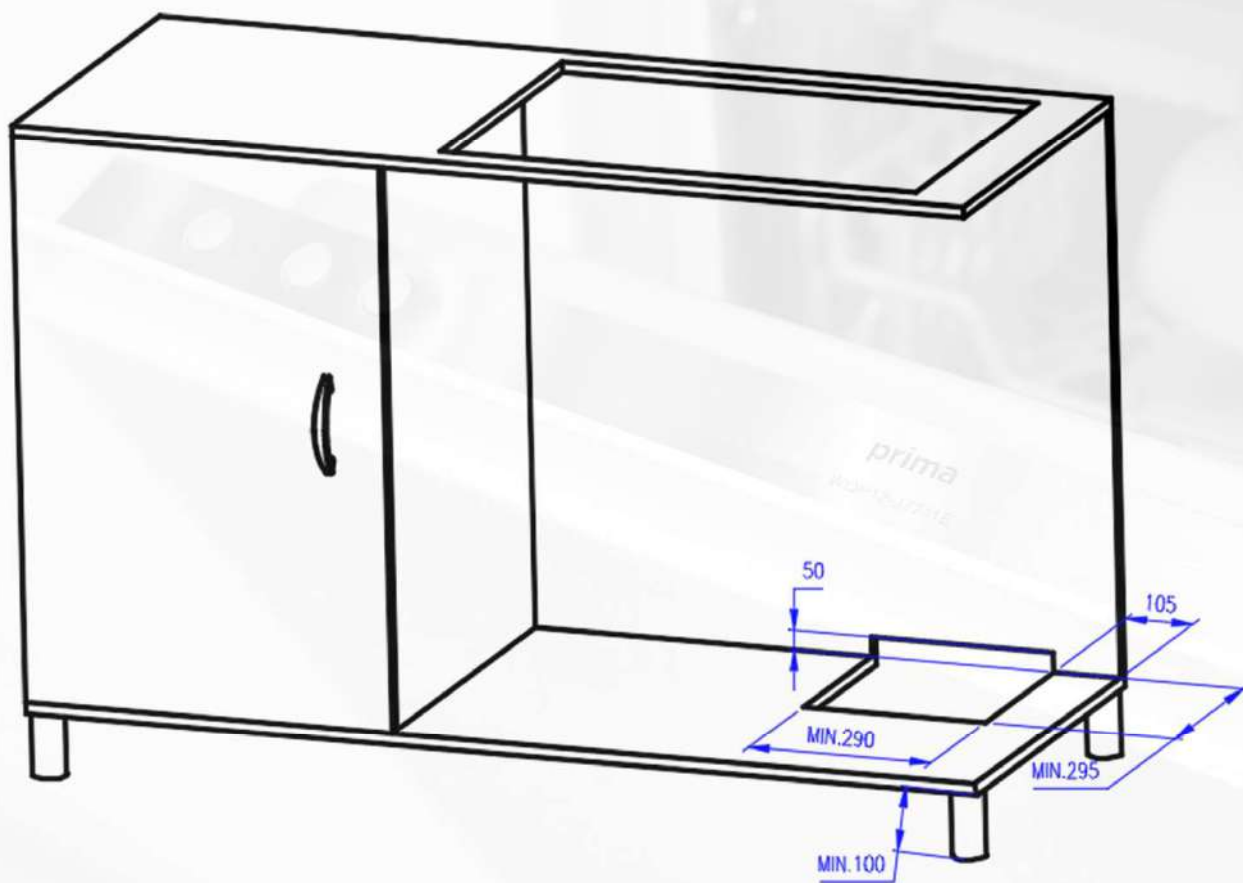
Minimum cabinet width: 90cm

+ Hob Installation

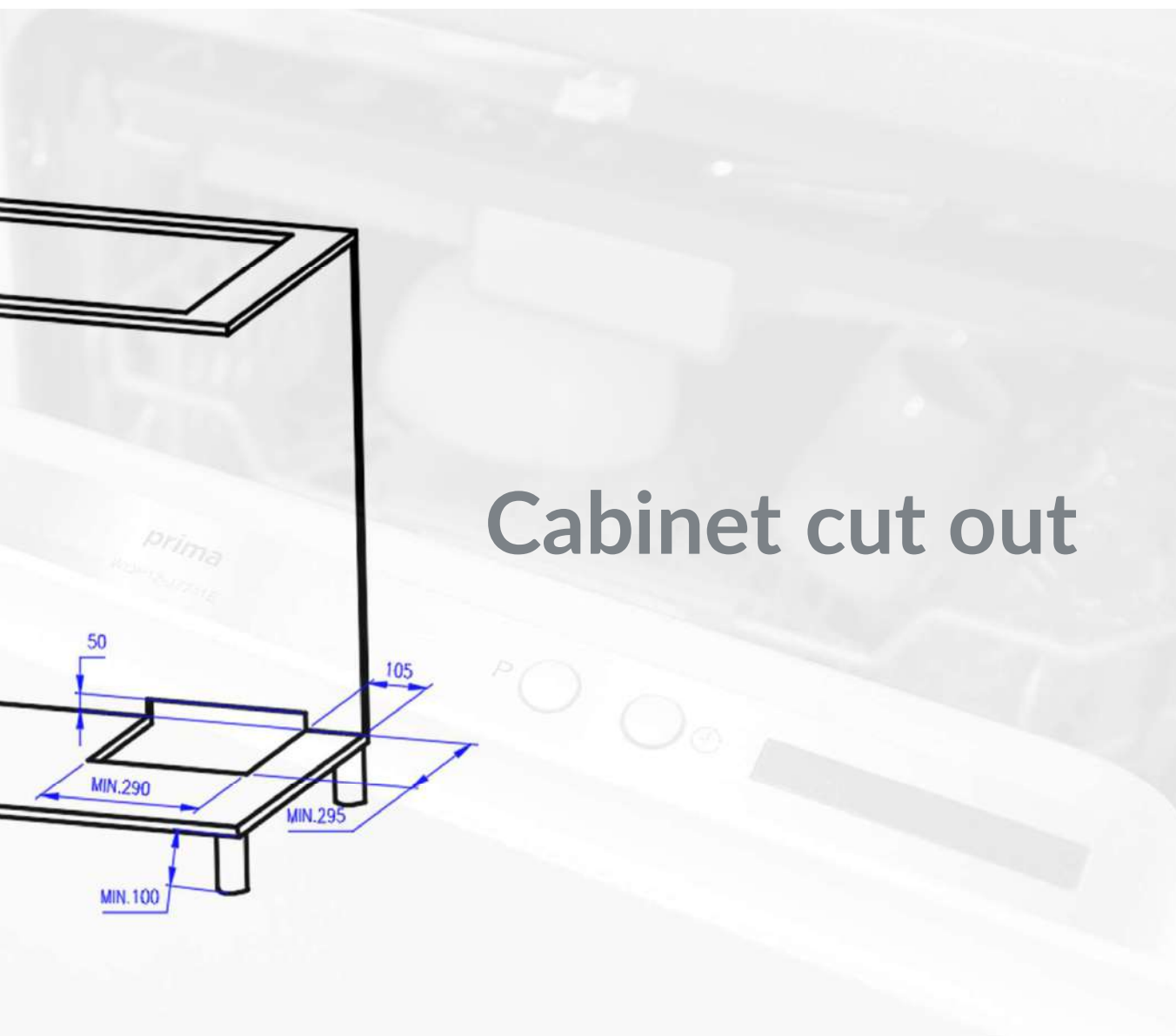


**Schematic
Diagram**

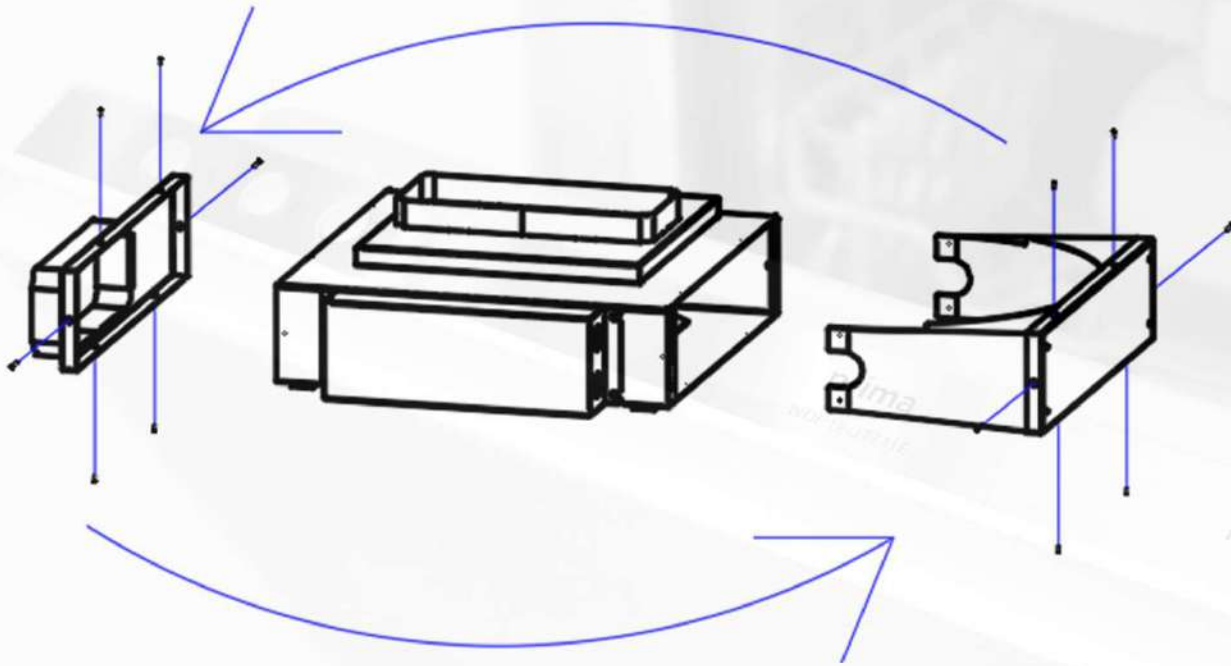
+ Motor Installation



Cabinet cut out

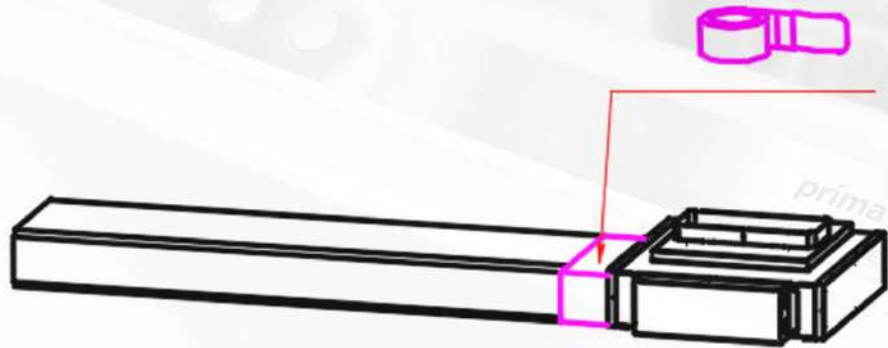


+ Motor Installation



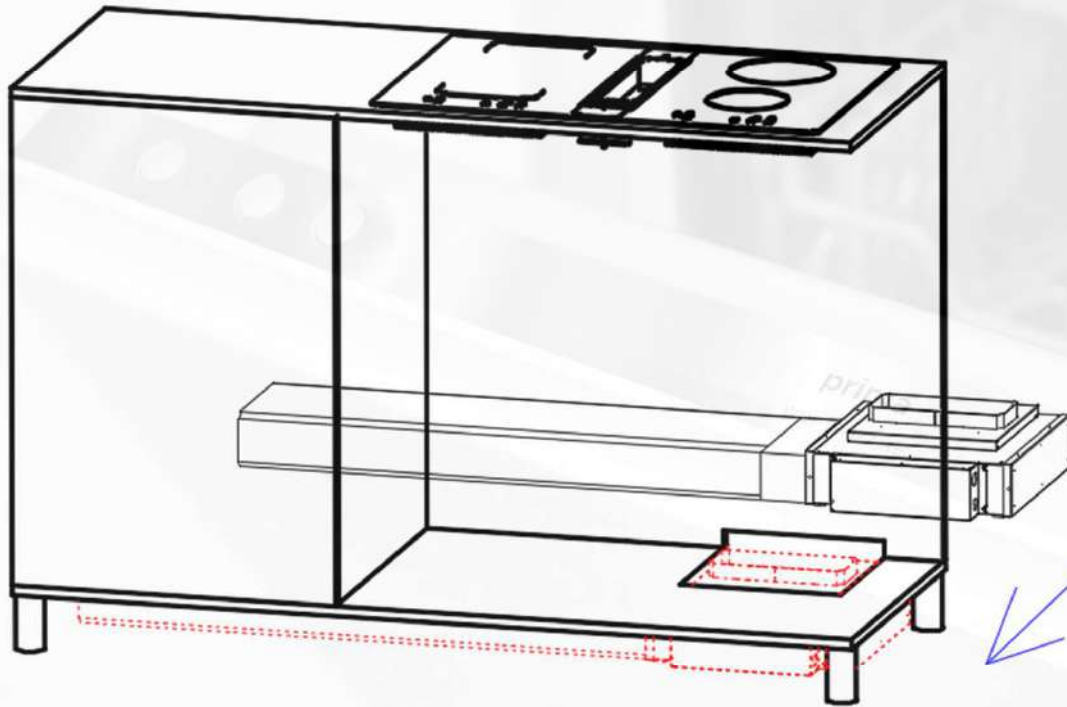
**Reversible
motor outlet
(left or right)**

+ Motor Installation



Seal Ducting

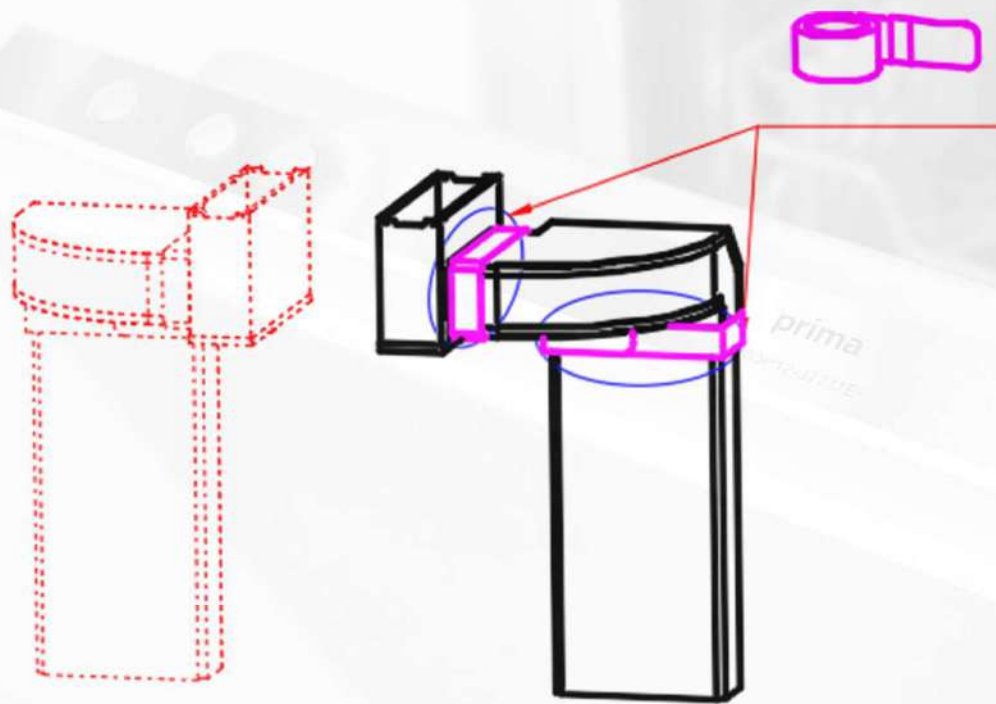
+ Motor Installation



Positioning
Motor

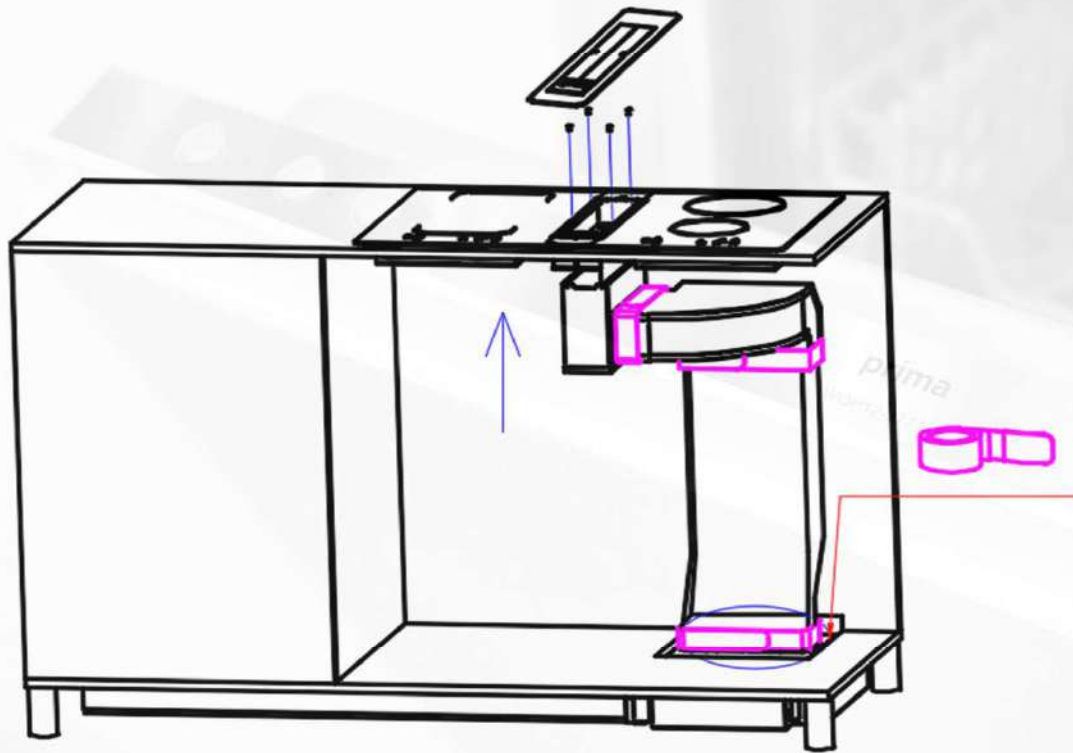


+ Ducting Installation



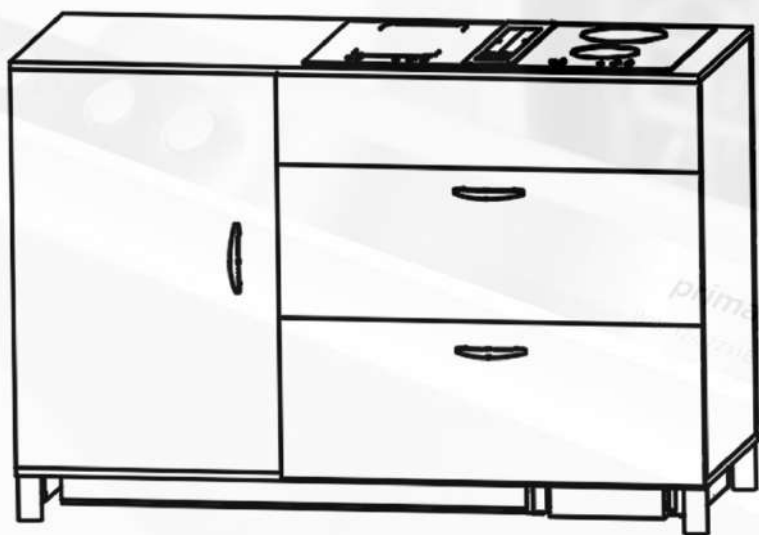
**Connect & seal
wind box to
ducting assembly**

+ Final Installation



Connect wind box
to main frame &
seal ducting

+ Final Installation



Final installation

prima

The Smarter Choice™