

N 30, Telescopic cooker hood, 60 cm, Silver metallic  
D46BR22N1B



COOKING PASSION SINCE 1877



B

#### Optional accessories

Z54TC01X0  
Z54TS01X0

Telescopic hood: designed to provide powerful extraction without impacting on your kitchen space or design. These hoods pull out from underneath a cabinet when required for a streamlined kitchen.

- ✓ LED lighting: a clear illumination whilst cooking thanks to the energy-saving LED lights
- ✓ Integrated Power Button – the telescopic hood automatically starts and stops when you slide it out and back in

#### Features

##### Technical Data

Typology : Pull-out  
Approval certificates : CE, VDE  
Length of electrical supply cord (cm) : 175  
Required niche size for installation (HxWxD) : 162mm x 526.0mm x 290mm  
Minimum distance above an electric hob : 430  
Minimum distance above a gas hob : 650  
Net weight (kg) : 8.511  
Type of control : mechanical  
Number of speed settings : 3  
Maximum output air extraction (m<sup>3</sup>/h) : 388  
Maximum output recirculating air (m<sup>3</sup>/h) : 196  
Number of lights (Stck) : 2  
Noise level (dB(A) re 1 pW) : 67  
Diameter of air outlet (mm) : 120 / 150  
Grease filter material : Washable aluminium  
EAN code : 4242004250784  
Connection rating (W) : 108  
Current (A) : 10  
Voltage (V) : 220-240  
Frequency (Hz) : 50  
Plug type : GB plug  
Installation type : Built-in



4 242004 250784

N 30, Telescopic cooker hood, 60 cm, Silver  
metallic  
D46BR22N1B

## Features

### Features

- 3 power levels
- Automatic On/Off operation when telescopic canopy is pulled out and pushed back
- 2 x 1,5W LED
- Capacitor motor
- 2 metal grease filter cassettes

### Design

- 60 cm wide
- Silver metallic grey
- Handle strip specification: stainless steel with logo
- Filter cover stainless steel, perforated and dishwasher safe

### Performance

- Suitable for ducted extraction and recirculation
- For recirculated extraction recirculating kit (accessory) needed
- Energy Efficiency Class: B (at a range of energy efficiency classes from A+++ to D)
- Extraction rate according to EN 61591 max. 389 m<sup>3</sup>/h
- Noise level according to EN 60704-3 and EN 60704-2-13 at max. normal use exhaust air: 67 dB(A) re 1 pW
- Colour Temperature: 3500 K
- Light Intensity: 131 lux
- Power rating: 108 W
- Average Energy Consumption: 41.1 kWh/year\*
- Blower Efficiency Class: C\*
- Lighting Efficiency Class: A\*
- Grease Filtering Efficiency Class: B\*

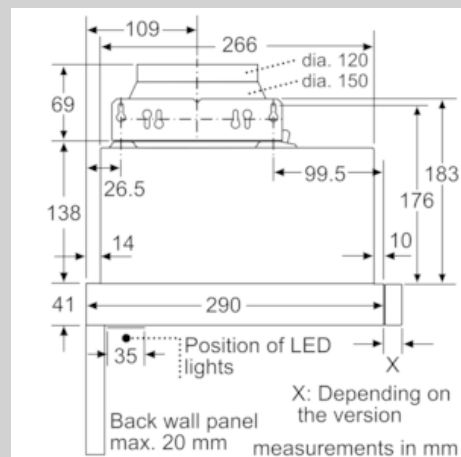
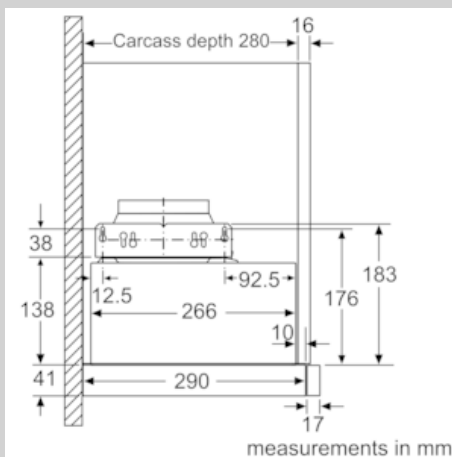
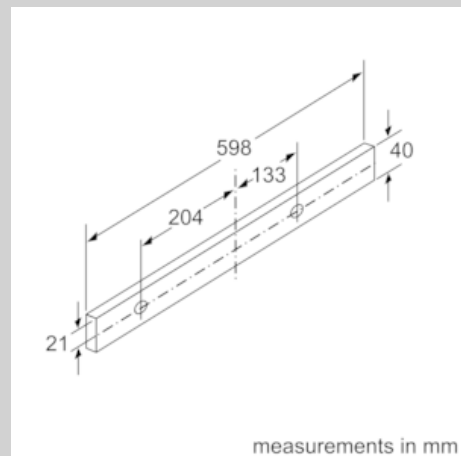
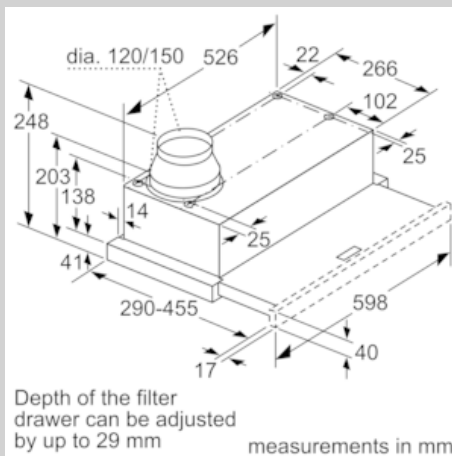
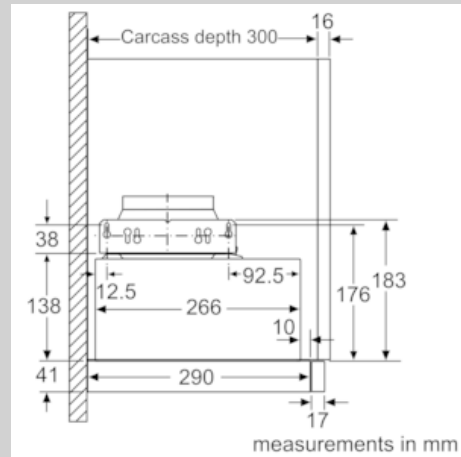
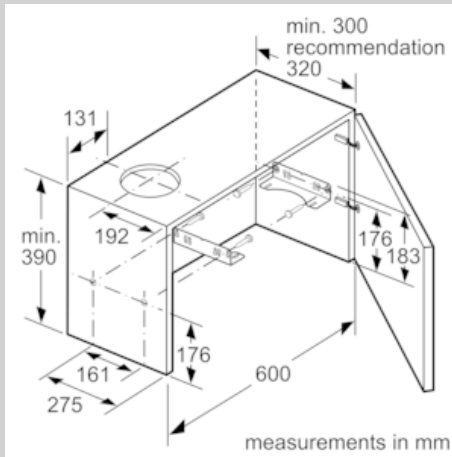
### Planning and installation information

- For installation into a 600mm wide cupboard
- Dimensions (HxWxD): 203 x 598 x 290 mm
- Built-in dimensions (HxWxD): 162 x 526 x 290 mm
- Diameter pipe Ø 150 mm (Ø 120 mm enclosed)
- Electrical cable length 1.75 m

\* In accordance with the EU-Regulation No 65/2014

N 30, Telescopic cooker hood, 60 cm, Silver metallic  
D46BR22N1B

## Dimensioned drawings



N 30, Telescopic cooker hood, 60 cm, Silver  
metallic  
D46BR22N1B

## Dimensioned drawings

