

N 50, Telescopic cooker hood, 60 cm, Silver metallic
D46ED22N1B



COOKING PASSION SINCE 1877



A



Telescopic hood: designed to provide powerful extraction without impacting on your kitchen space or design. These hoods pull out from underneath a cabinet when required for a streamlined kitchen.

- ✓ EfficientDrive: save energy and enjoy a quieter kitchen thanks to efficient brushless motor technology
- ✓ Intensive speed setting: increases the extraction rate when the steam gets intense
- ✓ LED lighting: a clear illumination whilst cooking thanks to the energy-saving LED lights
- ✓ Automatic After-running – ventilation continues for several minutes after you turn it off

Features

Technical Data

Typology : Pull-out
Approval certificates : CE, VDE
Length of electrical supply cord (cm) : 175
Required niche size for installation (HxWxD) : 162mm x 526.0mm x 290mm
Minimum distance above an electric hob : 430
Minimum distance above a gas hob : 650
Net weight (kg) : 8.011
Type of control : Electronic
Maximum output air extraction (m³/h) : 270
Boost position output recirculating (m³/h) : 189.0
Maximum output recirculating air (m³/h) : 174
Boost position air extraction (m³/h) : 405
Number of lights (Stck) : 2
Noise level (dB(A) re 1 pW) : 62
Diameter of air outlet (mm) : 120 / 150
Grease filter material : Washable aluminium
EAN code : 4242004250807
Connection rating (W) : 74
Current (A) : 10
Voltage (V) : 220-240
Frequency (Hz) : 50; 60
Plug type : GB plug
Installation type : Built-in

Optional accessories

Z54TC01X0
Z54TS01X0



4 242004 250807

N 50, Telescopic cooker hood, 60 cm, Silver
metallic
D46ED22N1B

Features

Features

- Electronic controls via Soft touch control
- 3 speeds plus intensive
- 2 x 1,5W LED
- Efficient BLDC technology
- Automatic intensive revert (6mins)
- Automatic after running (Automatic after running (10 minutes))
- 2 metal grease filter cassettes

Design

- 60 cm wide
- Silver metallic grey
- Handle strip specification: stainless steel with logo
- Filter cover stainless steel, perforated and dishwasher safe

Performance

- Suitable for ducted extraction and recirculation
- For recirculated extraction recirculating kit (accessory) needed
- Energy Efficiency Class: A (at a range of energy efficiency classes from A+++ to D)
- Extraction rate according to EN 61591 \varnothing 15 cm:
max. Normal use 271 m³/h
Intensive 405 m³/h
- Noise level according to EN 60704-3 and EN 60704-2-13 at max.
normal use exhaust air: 62 dB(A) re 1 pW
- Noise level according to EN 60704-3 and EN 60704-2-13 exhaust
air:
Max. normal use: 62 dB(A) re 1 pW
Intensive: 69 dB(A) re 1 pW
- Colour Temperature: 3500 K
- Light Intensity: 294 lux
- Power rating: 74 W
- Average Energy Consumption: 22.2 kWh/year*
- Blower Efficiency Class: B*
- Lighting Efficiency Class: A*
- Grease Filtering Efficiency Class: C*

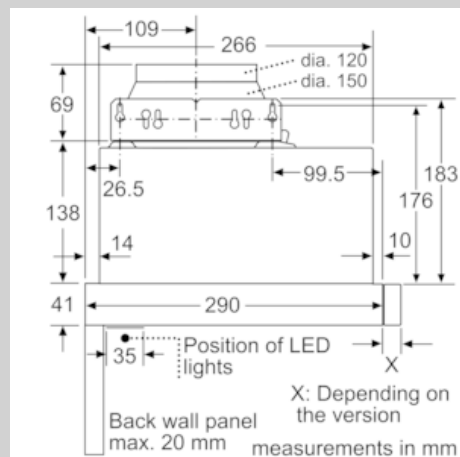
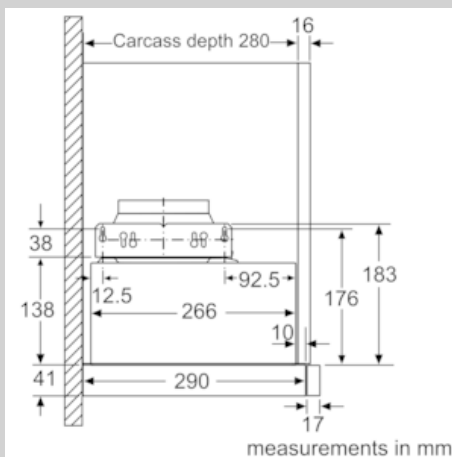
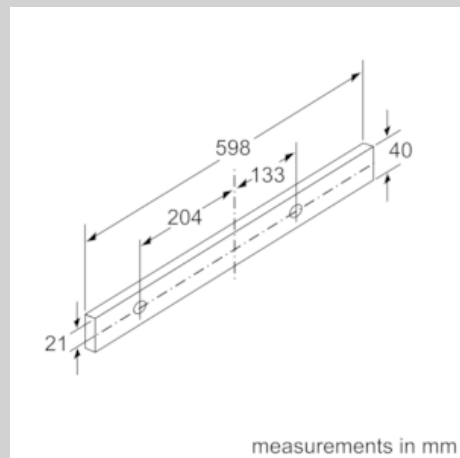
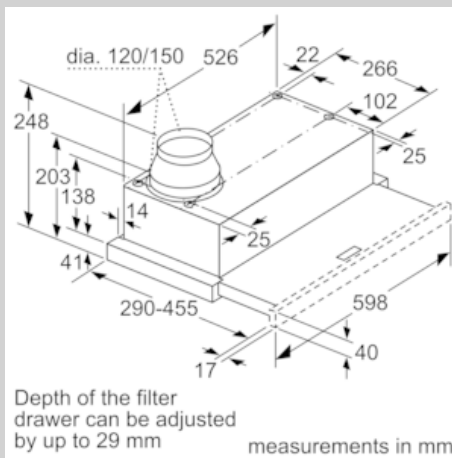
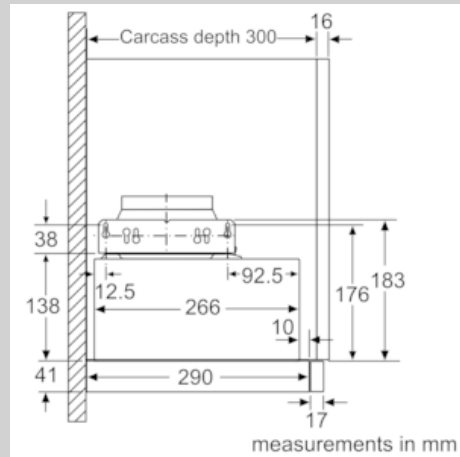
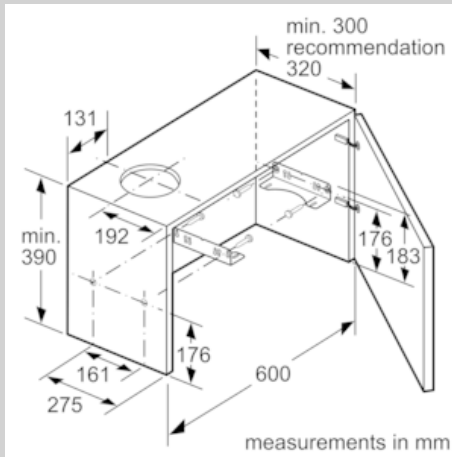
Planning and installation information

- For installation into a 600mm wide cupboard
- Dimensions (HxWxD): 203 x 598 x 290 mm
- Built-in dimensions (HxWxD): 162 x 526 x 290 mm
- Diameter pipe \varnothing 150 mm (\varnothing 120 mm enclosed)
- Electrical cable length 1.75 m

* In accordance with the EU-Regulation No 65/2014

N 50, Telescopic cooker hood, 60 cm, Silver metallic
D46ED22N1B

Dimensioned drawings



N 50, Telescopic cooker hood, 60 cm, Silver
 metallic
 D46ED22N1B

Dimensioned drawings

