

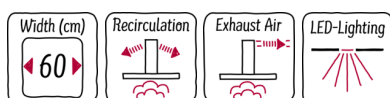
N 30, wall-mounted cooker hood, 60 cm, Stainless steel  
D62BBCON0B



COOKING PASSION SINCE 1877



D



The coordinating and stylish Neff box hood is modern in design and keeps up with your cooking.

- ✓ LED lighting: a clear illumination whilst cooking thanks to the energy-saving LED lights
- ✓ CleanAir Recirculation Filter (separate accessory): nothing but clean air thanks to the premium recirculation filter with high odour reduction (ca. 95%). Regenerative filter also available.

#### Features

##### Technical Data

Color chimney : Stainless steel  
 Typology : Chimney  
 Approval certificates : CE, VDE  
 Length electrical supply cord (cm) : 130  
 Height of the chimney (mm) : 583-912/583-1022  
 Height of product, without chimney (mm) : 53  
 Minimum distance above an electric hob : 550  
 Minimum distance above a gas hob : 650  
 Net weight (kg) : 11.085  
 Type of control : mechanical  
 Number of speed settings : 3  
 Maximum output air extraction (m<sup>3</sup>/h) : 365  
 Maximum output recirculating air (m<sup>3</sup>/h) : 197  
 Number of lights : 2  
 Noise level (dB(A) re 1 pW) : 63  
 Diameter of air outlet (mm) : 120 / 150  
 Grease filter material : Washable aluminium  
 EAN code : 4242004223993  
 Connection Rating (W) : 100  
 Current (A) : 10  
 Voltage (V) : 220-240  
 Frequency (Hz) : 60; 50  
 Plug type : GB plug  
 Installation typology : Wall-mounted

#### Optional accessories

Z50XP0X0	CleanAir act.carbon filter regenerative
Z5170X1	CleanAir active carbon filter spare part
Z51DXA0X0	Active carbon filter
Z51DXU0X0	Recirculating kit
Z51FXI0X0	Integrated CleanAir Recirculation Kit
Z51FXJ0X0	Integrated CleanAir Recirculation Kit
Z5270X0	CleanAir Recirculation Kit
Z5865N0	Stainless steel back panel
Z5905N0	Chimney extension 1000 mm
Z5915N0	Chimney extension 1500 mm



4 242004 223993

N 30, wall-mounted cooker hood, 60 cm, Stainless steel  
D62BBCONOB

## Features

### Key performance features:

- Energy Efficiency Class: D (at a range of energy efficiency classes from A++ to E)\*
- Max. extraction rate: 365 m<sup>3</sup>/h
- Noise max. Normal Level: 63 dB\*

### Features

- Push button control operation
- 3 power levels
- Twin channel high performance fan motor
- 2 x 1.5w LED Light
- Colour Temperature: 3500 K
- 2 metal grease filter cassettes
- For wall mounted installation

### Design

- Stainless steel
- Box design
- Chimney hood
- Push button control operation
- Mechanical controls

### Performance/technical information

- Suitable for ducted extraction and recirculation
- For recirculated extraction recirculating kit or CleanAir recirculating kit (accessory) needed
- Max. extraction rate: 365 m<sup>3</sup>/h
- Maximum extraction rate exhaust air 365 m<sup>3</sup>/h according to EN 61591
- Extraction rate in recirculation mode:  
Max. normal use: 197 m<sup>3</sup>/h
- Noise max. Normal Level: 63 dB\*
- Noise level according to EN 60704-3 and EN 60704-2-13 at max. normal use exhaust air: 63 dB(A) re 1 pW (50 dB(A) re 20 µPa sound pressure)
- Noise level in recirculation mode:  
Max. normal use: 66 dB(A) re 1 pW (53 dB(A) re 20 µPa sound pressure)
- 
- Light Intensity: 99 lux
- Colour Temperature: 3500 K
- Electrical cable length 1.3 m
- Diameter pipe Ø 150 mm (Ø 120 mm enclosed)
- Dimensions exhaust air (HxWxD): 635-965 x 600 x 500 mm
- Dimensions recirculating (HxWxD): 635-1075 x 600 x 500 mm
- Dimensions recirculating with CleanAir module (HxWxD):  
703 x 600 x 500 mm - mounting with outer chimney  
833-1163 x 600 x 500 mm - mounting with telescopic chimney
- Energy Efficiency Class: D (at a range of energy efficiency classes from A++ to E)\*
- Blower Efficiency Class: E\*
- Lighting Efficiency Class: A\*
- Grease Filtering Efficiency Class: C\*
- Average Energy Consumption: 53.1 kWh/year\*

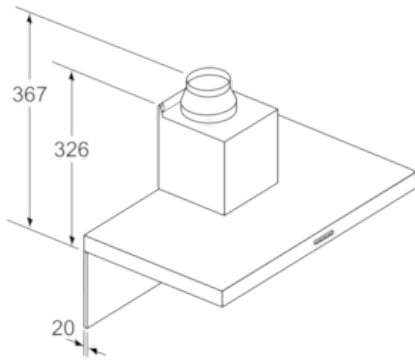
### Optional accessories

- Recirculating kit Z5270X0

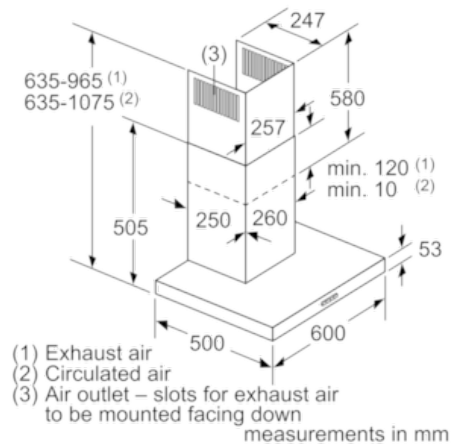
\* In accordance with the EU-Regulation No 65/2014

N 30, wall-mounted cooker hood, 60 cm, Stainless steel  
D62BBCONOB

Dimensioned drawings



If a back panel is used, the design of the appliance must be considered. measurements in mm



(1) Exhaust air  
(2) Circulated air  
(3) Air outlet – slots for exhaust air to be mounted facing down measurements in mm

