

N 30, wall-mounted cooker hood, 75 cm, Stainless steel
D72PBCON0B



D



Optional accessories

Z5138X1	Active carbon filter
Z5138X5	Recirculating kit
Z5904N0	Chimney extension 500 mm
Z5904N5	Chimney extension 750 mm

The pyramid hood is a traditionally designed hood and a trademark design of our collections.

✓ LED lighting: a clear illumination whilst cooking thanks to the energy-saving LED lights

Features

Technical Data

Color chimney : Stainless steel
 Typology : Chimney
 Approval certificates : CE, VDE
 Length electrical supply cord (cm) : 130
 Height of the chimney (mm) : 553-730/573-730
 Height of product, without chimney (mm) : 246
 Minimum distance above an electric hob : 550
 Minimum distance above a gas hob : 650
 Net weight (kg) : 7.747
 Type of control : mechanical
 Number of speed settings : 3
 Maximum output air extraction (m³/h) : 365
 Maximum output recirculating air (m³/h) : 213
 Number of lights : 2
 Noise level (dB(A) re 1 pW) : 65
 Diameter of air outlet (mm) : 150 / 120
 Grease filter material : Washable aluminium
 EAN code : 4242004221517
 Connection Rating (W) : 100
 Current (A) : 10
 Voltage (V) : 220-240
 Frequency (Hz) : 60; 50
 Plug type : GB plug
 Installation typology : Wall-mounted



4 242004 221517

N 30, wall-mounted cooker hood, 75 cm, Stainless steel
D72PBCON0B

Features

Key performance features:

- Energy Efficiency Class: D (at a range of energy efficiency classes from A++ to E)*
- Max. extraction rate: 365 m³/h
- Noise max. Normal Level: 65 dB*

Features

- Push button control operation
- 3 power levels
- 2 x 1.5w LED Light
- Colour Temperature: 3500 K
- 2 metal grease filter cassettes
- For wall mounted installation

Design

- Stainless steel
- Pyramid
- Chimney hood
- Push button control operation
- Mechanical controls

Performance/technical information

- Suitable for ducted extraction and recirculation
- For recirculated extraction recirculating kit (accessory) needed
- Max. extraction rate: 365 m³/h
- Maximum extraction rate exhaust air 365 m³/h according to EN 61591
- Extraction rate in recirculation mode:
Max. normal use: 213 m³/h
- Noise max. Normal Level: 65 dB*
- Noise level according to EN 60704-3 and EN 60704-2-13 at max. normal use exhaust air: 65 dB(A) re 1 pW (52 dB(A) re 20 µPa sound pressure)
- Noise level in recirculation mode:
Max. normal use: 67 dB(A) re 1 pW (54 dB(A) re 20 µPa sound pressure)
-
- Light Intensity: 94 lux
- Colour Temperature: 3500 K
- Electrical cable length 1.3 m
- Diameter pipe Ø 150 mm (Ø 120 mm enclosed)
- Dimensions exhaust air (HxWxD): 799-975 x 750 x 500 mm
- Dimensions recirculating (HxWxD): 799-975 x 750 x 500 mm
- Energy Efficiency Class: D (at a range of energy efficiency classes from A++ to E)*
- Blower Efficiency Class: E*
- Lighting Efficiency Class: A*
- Grease Filtering Efficiency Class: D*
- Average Energy Consumption: 53.1 kWh/year*

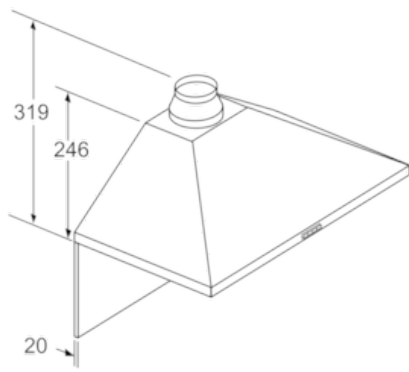
Optional accessories

- Recirculating kit Z5138X5

* In accordance with the EU-Regulation No 65/2014

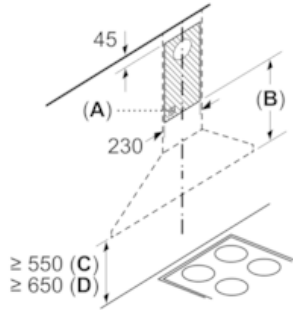
N 30, wall-mounted cooker hood, 75 cm, Stainless steel
 D72PBCON0B

Dimensioned drawings

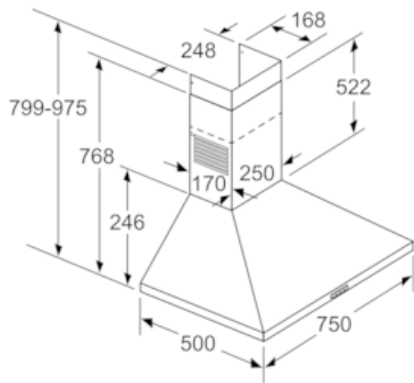


If a back panel is used, the design of the appliance must be considered. measurements in mm

measurements in mm



- A: Socket
- B: Exhaust air: ≥ 280 ; circulated air: ≥ 490
- C: electric
- D: Gas, from upper edge of pan support



measurements in mm