

Serie | 6, Integrated Design Hood, 60 cm, clear glass black printed DBB67AM60B

B



Perfectly integrated design hood for flush installation and optimal usage of space inside your cupboard.

- **Silent:** maximum extractor performance with minimal noise.
- An impressive extraction rate of m³/h ensures this hood will have your kitchen odour free in no time.
- **Expanded storage space:** the hood can hold up to 10 kg on each side.
- **Glass panel with integrated TouchSelect control:** an automatic recognition of the glass panel position enables automatic operation of power level and light.
- **Easy to clean:** thanks to the well thought-out design, such as smooth surfaces, the hood is easy to clean.

Technical Data

Typology : Built-in/Built-under
Approval certificates : CE, E17D UKCA marking, VDE
Length of electrical supply cord : 130 cm
Required niche size for installation (HxWxD) : 340mm x 560.0mm x 300mm mm
Height of product, without chimney : 60 mm
Minimum distance above an electric hob : 430 mm
Minimum distance above a gas hob : 650 mm
Net weight : 9.8 kg
Type of control : Electronic
Maximum output air extraction : 460 m³/h
Boost position output recirculating : 652 m³/h
Maximum output recirculating air : 451 m³/h
Boost position air extraction : 749 m³/h
Number of lights (Stck) : 2
Noise level : 63 dB(A) re 1 pW
Diameter of air outlet : 120 / 150 mm
Grease filter material : Washable stainless steel
EAN code : 4242005297948
Connection rating : 256 W
Voltage : 220-240 V
Frequency : 50 Hz
Plug type : GB plug
Installation type : Built-in

Optional accessories

DWZ0IT0P0 : Long Life odor filter (replacement)
DWZ1IB6N1 : Chimney extension 187-360 mm
DWZ1IT1D1 : Long Life recirculation kit external
DWZ1IX1B6 : Clean Air Plus odor filter (replacement)
DWZ1IX1C6 : Clean Air Plus recirc. kit external
DWZ6IB1I4 : Clean Air Standard recirculation kit



Serie | 6, Integrated Design Hood, 60 cm, clear glass black printed DBB67AM60B

**Perfectly integrated design hood for flush
installation and optimal usage of space
inside your cupboard.**

Variant

- 60 cm wide
- Installation: Cupboard 60 cm
- Suitable for ducted or recirculating operation
- For recirculated extraction various recirculation kits are available as optional accessories.

Design

- Flush-fitted installation for a seamless integration in wall cupboards.
- Space efficient compact design for extra storage possibilities on the hood, up to max. 10 kg storage weight per side.
- Glass panel with touch control for an easy operation and enhanced vapor capture.
- Extraction and lighting are automatically turned on and off by opening and closing the glass panel.
- Lighting can also be turned on and off when the glass panel is closed by quick hand touch on control panel.
- Includes mats for hood storage areas, protection against scratches and to help prevent items moving in this space.

Features

- Electronic control via TouchControl
- 3 power levels & intensive setting
- Softlight dimmer function
- 2 x 2 W LED lights
- Colour Temperature: 3500 K
- Light Intensity: 451 lux
- Automatic intensive revert
- Automatic intensive revert (6mins)
- Steel filter cover
- 2 removable metal grease filter cassettes
- Easy to clean smooth surfaces and materials.

Performance

- Extraction rate according to EN 61591 \varnothing 15 cm:
max. Normal use 460 m³/h
Intensive 749 m³/h
- Noise level according to EN 60704-3 and EN 60704-2-13 exhaust air:
Max. normal use: 63 dB(A) re 1 pW
Intensive: 73 dB(A) re 1 pW
- Noise max. Normal Level: Noise, max. speed in normal use: 63 dB dB*
- With the Clean Air Plus recirculation kit (available as optional accessory) your appliances reaches:
Extraction rate in recirculation mode:
Max. normal use: 451 m³/h
Intensive: 652 m³/h
Noise level in recirculation mode:
Max. normal use: 67 dB(A) re 1 pW
Intensive: 74 dB(A) re 1 pW

Planning and installation information

- Installation system: IDH comfort installation
- Suitable for installation in bottomless wall cupboards.
- Enclosed spacers for installation in wall cupboards with maximum depth of up to 360mm.
- For installation in higher wall cupboards chimney extensions are available as optional accessories.
- Chimney extensions are compatible with the available recirculation kits.
- Dimensions (HxWxD): 340 x 597 x 298 mm
- Built-in dimensions (HxWxD): 340 x 560 x 300 mm
- Diameter pipe \varnothing 150 mm (\varnothing 120 mm enclosed)
- Back-pressure flap: Yes
- Electrical cable length 1.3 m
- Please reference the built-in dimensions provided in the installation drawings

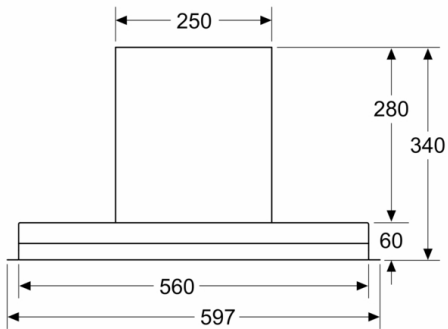
Consumption Data

- Energy Efficiency Class: B (at a range of energy efficiency classes from A+++ to D)
- Average Energy Consumption: 62.7 kWh/year*
- Blower Efficiency Class: B*
- Lighting Efficiency Class: A*
- Grease Filtering Efficiency Class: B*
- Power rating: 256 W

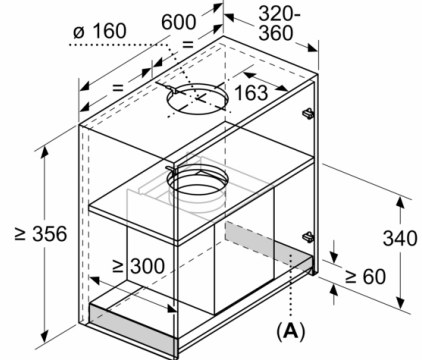
* In accordance with the EU-Regulation No 65/2014

**Serie | 6, Integrated Design Hood, 60 cm,
clear glass black printed
DBB67AM60B**

measurements in mm
Front view

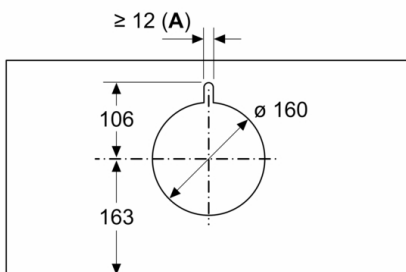


measurements in mm
Installation example



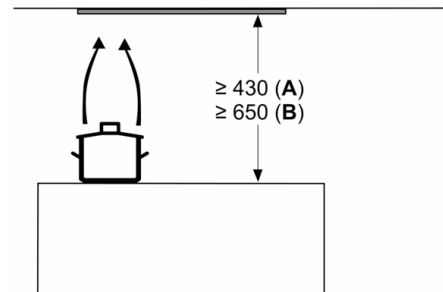
A: Area without hinges

measurements in mm



A: Cable bushing

measurements in mm



from upper edge of pan support

A: min. 430 electric
B: min. 650 gas

measurements in mm
side view

